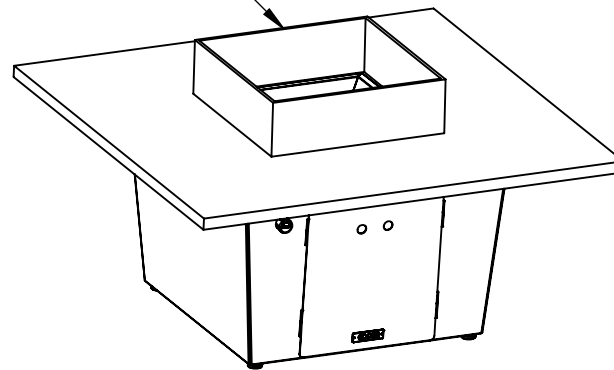


Optional glass wind screen



The Newport fire pit table is perfect for casual dining and enjoying drinks in restaurants and social settings.

- Top Material
Granite Tier 1,2,3, Stainless Steel or Custom material

- Base
Copper plating with option of forced patina
Brushed 304 stainless steel
Electro polish
Powder coating in several standard colors or custom colors are available

- Fire pit media
Broken Glass, Lava rock
Custom options include Ceramic stones, logs , etc.

- Fuel 60,000 BTU
Propane or Natural gas

- Forced air heat: Optional
requires a 120 v 15 amp switched power

- Electronic Ignition: Optional
requires switched power

UNLESS OTHERWISE SPECIFIED:

DIMENSIONS ARE IN INCHES
TOLERANCES:
FRACTIONAL ±
ANGULAR: MACH ± .5 BEND ± 1
TWO PLACE DECIMAL ± .05
THREE PLACE DECIMAL ± .005

INTERPRET GEOMETRIC TOLERANCING PER: ANSI

MATERIAL
304 SS

FINISH
TBD

DO NOT SCALE DRAWING

PROPRIETARY AND CONFIDENTIAL

THE INFORMATION CONTAINED IN THIS DRAWING IS THE SOLE PROPERTY OF **DCI LLC**. ANY REPRODUCTION IN PART OR AS A WHOLE WITHOUT THE WRITTEN PERMISSION OF **DCI LLC** IS PROHIBITED.

COMMENTS:

Cooke Furniture

TITLE:
Newport Spec Sheet
CookeFurniture.com
951-805-0314

SIZE	DWG. NO.	REV
A	NPLL-ASM48x48x22	A

SCALE: 1:16	WEIGHT: 200 lbs	SHEET 1 OF 1
-------------	-----------------	--------------