

The Parkway fire pit table has a slim style and Perfect for eating and dining around with plenty of room for glasses and plates.

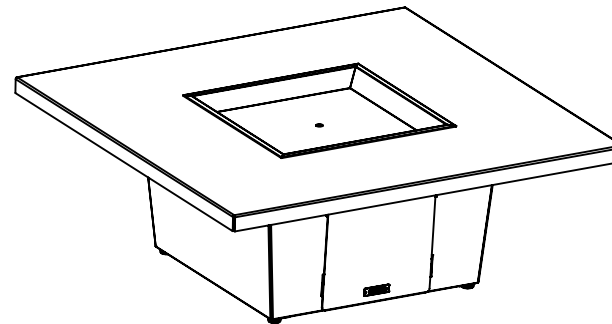
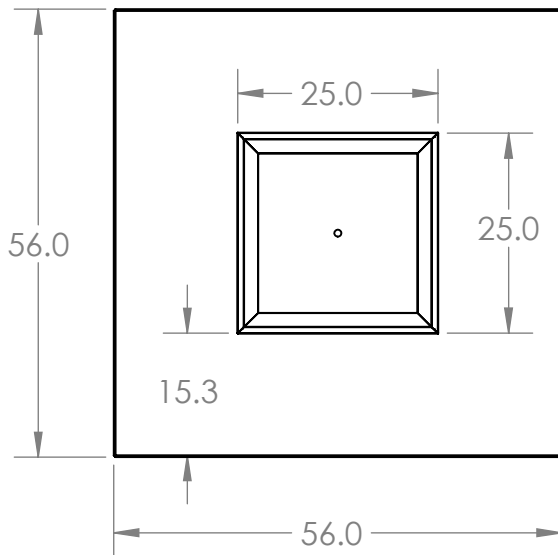
- Top Material  
3/16 Aluminum plate or Granite Tier 1,2,3 or personal slab selection

- Base  
16 GA Aluminum  
Powder coating in several standard colors or custom colors are available

- Fire pit  
304 SS pan, lid and burner  
Optional glass wind screen  
Media: Broken Glass, Lava rock  
Custom options include Ceramic stones, logs , etc.

- Fuel  
Propane or Natural gas

- Full Electronic Ignition available requires 120v switched power



UNLESS OTHERWISE SPECIFIED:

DIMENSIONS ARE IN INCHES  
TOLERANCES:  
FRACTIONAL ±  
ANGULAR: MACH ± .5 BEND ± 1  
TWO PLACE DECIMAL ± .05  
THREE PLACE DECIMAL ± .005

INTERPRET GEOMETRIC TOLERANCING PER: ANSI

MATERIAL  
**Aluminum**

FINISH  
**Powder Coat**

DO NOT SCALE DRAWING

**PROPRIETARY AND CONFIDENTIAL**

THE INFORMATION CONTAINED IN THIS DRAWING IS THE SOLE PROPERTY OF DCI LLC. ANY REPRODUCTION IN PART OR AS A WHOLE WITHOUT THE WRITTEN PERMISSION OF DCI LLC IS PROHIBITED.

COMMENTS:

Cooke furniture So Cal Collection

TITLE:  
**Legless Parkway fire pit Spec Sheet**  
CookeFurniture.com  
951-805-0314

SIZE **A** DWG. NO. SCLL-ASM-56x56x22

REV **A**

SCALE: 1:24 WEIGHT:

SHEET 1 OF 1