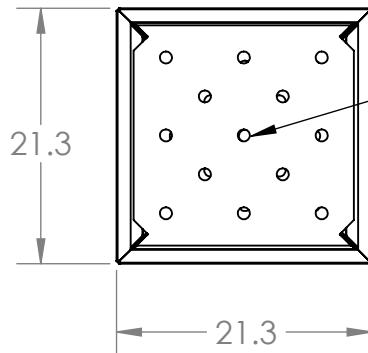


Our custom planter collection offers a slim minimalist style which can be custom tailored to your needs. The unique design provides a lightweight alternative to traditional planters which is ideal for roof top applications. The stainless steel construction insures they will the test of time and avoid cracking from bulging roots.

Material: 304 stainless steel, mild steel or solid Copper

Finish: Powder coated, brushed or Custom

Standard Sizes 24H, 36H, 40H
Custom sizes available



Optional drain holes

UNLESS OTHERWISE SPECIFIED:		PROPRIETARY AND CONFIDENTIAL	
DIMENSIONS ARE IN INCHES TOLERANCES: FRACTIONAL ± ANGULAR: MACH ± .5 BEND ± 1 TWO PLACE DECIMAL ± .05 THREE PLACE DECIMAL ± .005		THE INFORMATION CONTAINED IN THIS DRAWING IS THE SOLE PROPERTY OF DCI LLC . ANY REPRODUCTION IN PART OR AS A WHOLE WITHOUT THE WRITTEN PERMISSION OF DCI LLC IS PROHIBITED.	
INTERPRET GEOMETRIC TOLERANCING PER: ANSI		COMMENTS:	
MATERIAL		Custom Sizes Available	
FINISH			
DO NOT SCALE DRAWING		TITLE: COOKE Furniture david@cookefurniture.com 951-805-0314	
SIZE	DWG. NO.	REV	
A	TLLP-ASM21x21x40	A	
SCALE: 1:8	WEIGHT:	SHEET 1 OF 1	