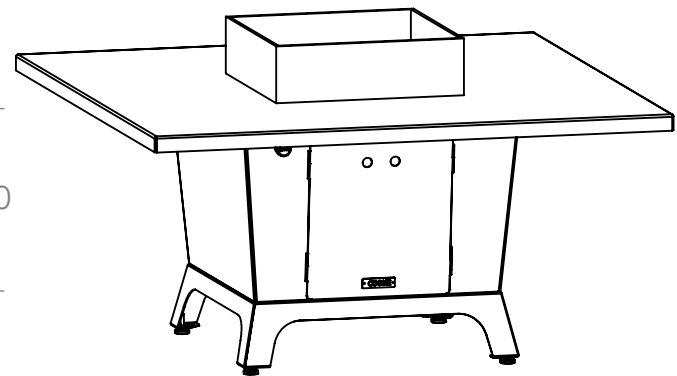
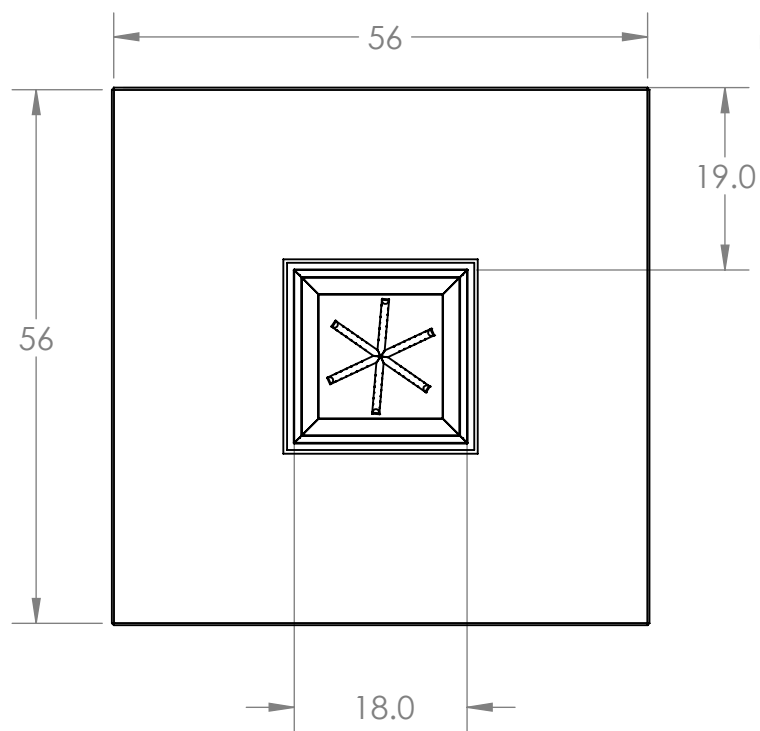


Dining base can be removed to convert to chat height



The Parkway dining fire pit table with the 56" top is sleek and stylish and is Perfect for formal dining with plenty of room for glasses and plates.

- Top Material  
Formed Aluminum  
Brushed or Powder coated in several standard colors  
Granite Tier 1,2,3  
Custom options are available

- Base  
14 GA Aluminum  
Powder coated in several standard colors or custom colors are available

- Fire pit  
304 SS pan, lid and burner  
Optional glass wind screen  
Media: Broken Glass, Lava rock  
Custom options include Ceramic stones, logs , etc.

- Fuel 60,000 BTU  
Propane or Natural gas

- Ignition: Match lit, Full Electronic Ignition available requires 120v switched power

UNLESS OTHERWISE SPECIFIED:		<b>PROPRIETARY AND CONFIDENTIAL</b>		Cooke Furniture So Cal Collection	
DIMENSIONS ARE IN INCHES TOLERANCES: FRACTIONAL ± ANGULAR: MACH ± .5 BEND ± 1 TWO PLACE DECIMAL ± .05 THREE PLACE DECIMAL ± .005		THE INFORMATION CONTAINED IN THIS DRAWING IS THE SOLE PROPERTY OF DCI LLC. ANY REPRODUCTION IN PART OR AS A WHOLE WITHOUT THE WRITTEN PERMISSION OF DCI LLC IS PROHIBITED.		TITLE: Olympic Fire Pit Table Spec Sheet david@cookefurniture.com 951-805-0314	
INTERPRET GEOMETRIC TOLERANCING PER: ANSI		COMMENTS:		SIZE DWG. NO. REV	
MATERIAL				A Parkway-56x56x29 A	
FINISH					
DO NOT SCALE DRAWING				SCALE: 1:24 WEIGHT: 250 lbs SHEET 1 OF 1	