

The Balboa fire pit table is perfect for casual dining at 22 inches high this table is great for restaurants and social settings.

- Top Material
Granite, Stainless steel or other personally selected material

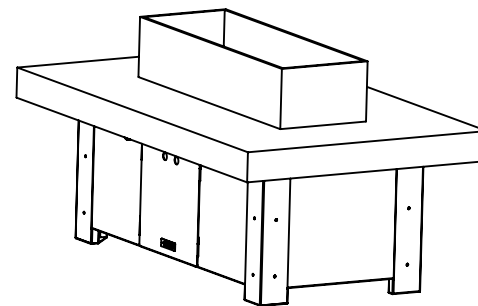
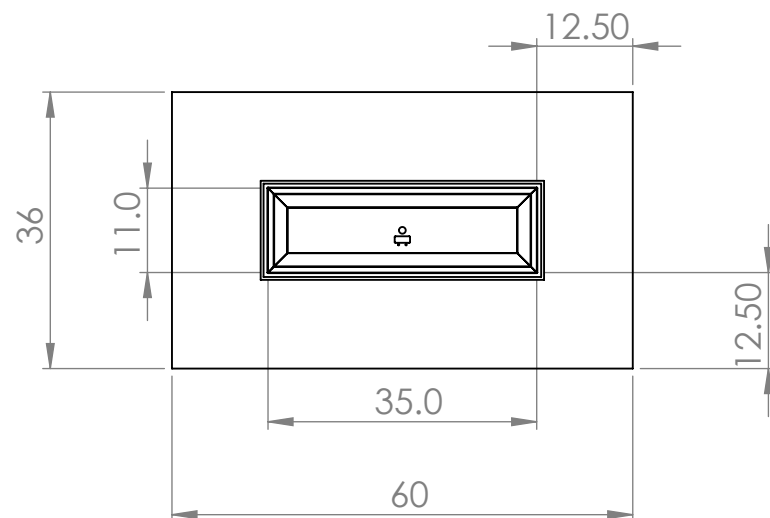
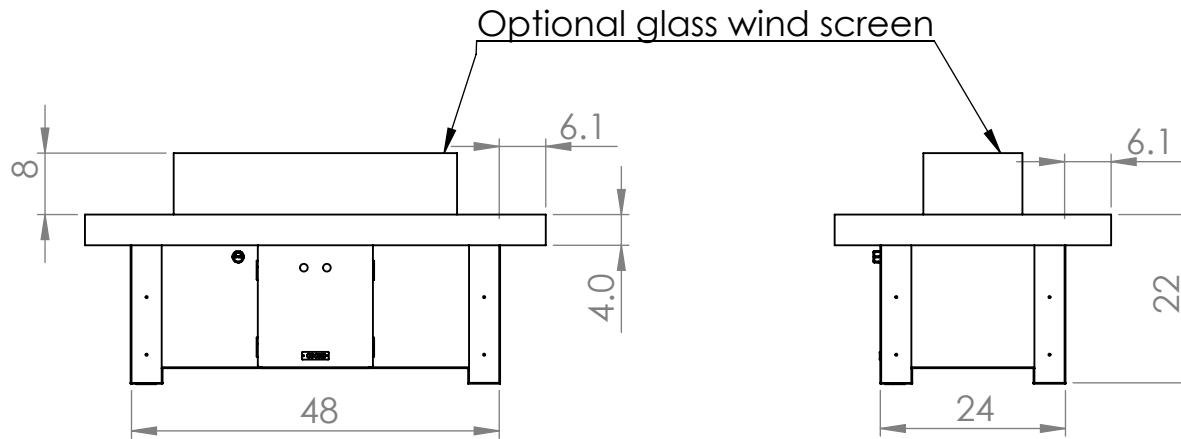
- Base Material
304 or selected alloy
Finish options
Brushed, Electro polish, Copper, powder coat and other custom options are available

- Fire pit media
Broken Glass, Lava rock, logs, stones and other fire pit decorations are available

- Fuel 100,000 BTU
Propane, Natural gas, wood, alcohol or fuel of choice

- Controls
Solid 304 stainless steel control knob operated flame adjustment ignition options are match light or all weather electronic Ignition system which requires 120v switched power

- Optional Forced air heat:
Requires a 120 v 15 amp switched power



UNLESS OTHERWISE SPECIFIED:		PROPRIETARY AND CONFIDENTIAL	
DIMENSIONS ARE IN INCHES TOLERANCES: FRACTIONAL $\pm 1/32$ ANGULAR: MACH $\pm .5^\circ$ BEND $\pm 1^\circ$ TWO PLACE DECIMAL $\pm .05$ THREE PLACE DECIMAL $\pm .010$		THE INFORMATION CONTAINED IN THIS DRAWING IS THE SOLE PROPERTY OF DCI LLC. ANY REPRODUCTION IN PART OR AS A WHOLE WITHOUT THE WRITTEN PERMISSION OF DCI LLC IS PROHIBITED.	
INTERPRET GEOMETRIC TOLERANCING PER: ANSI		COMMENTS:	
MATERIAL			
FINISH			
DO NOT SCALE DRAWING			
COOKE <small>CONTEMPORARY FURNITURE</small>			
info@cookefurniture.com 888-303-2453			
TITLE: Balboa Fire Pit Table 36x60x22			
SIZE	DWG. NO.	REV	
A	BAL-ASM-36x60x22		
SCALE: 1:20		WEIGHT:	SHEET 1 OF 1