

The Balboa fire pit table is perfect for casual dining at 22 inches high this table is great for restaurants and social settings.

- Top Material  
Granite Tier 1,2,3, Stainless steel or Custom selection

- Base Options  
Powder coating in several standard colors or custom colors are available  
Copper plating with option of forced patina  
Brushed or polished 304 stainless steel

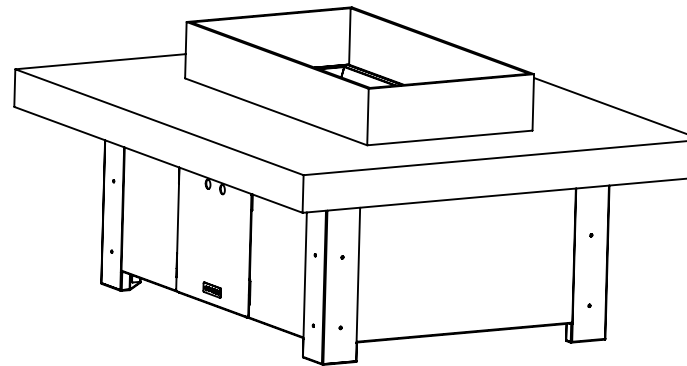
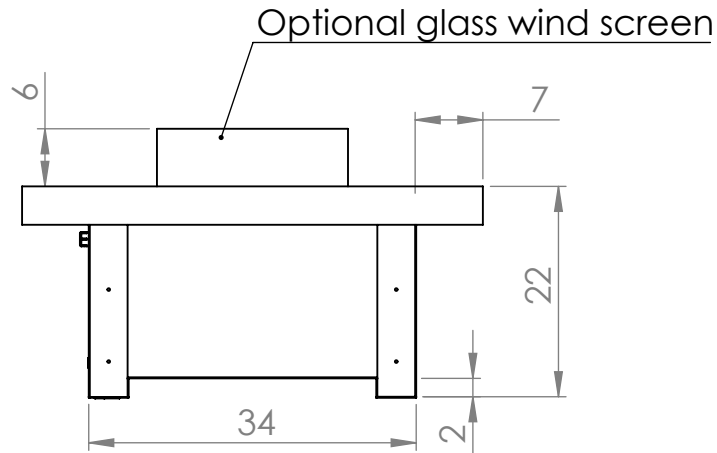
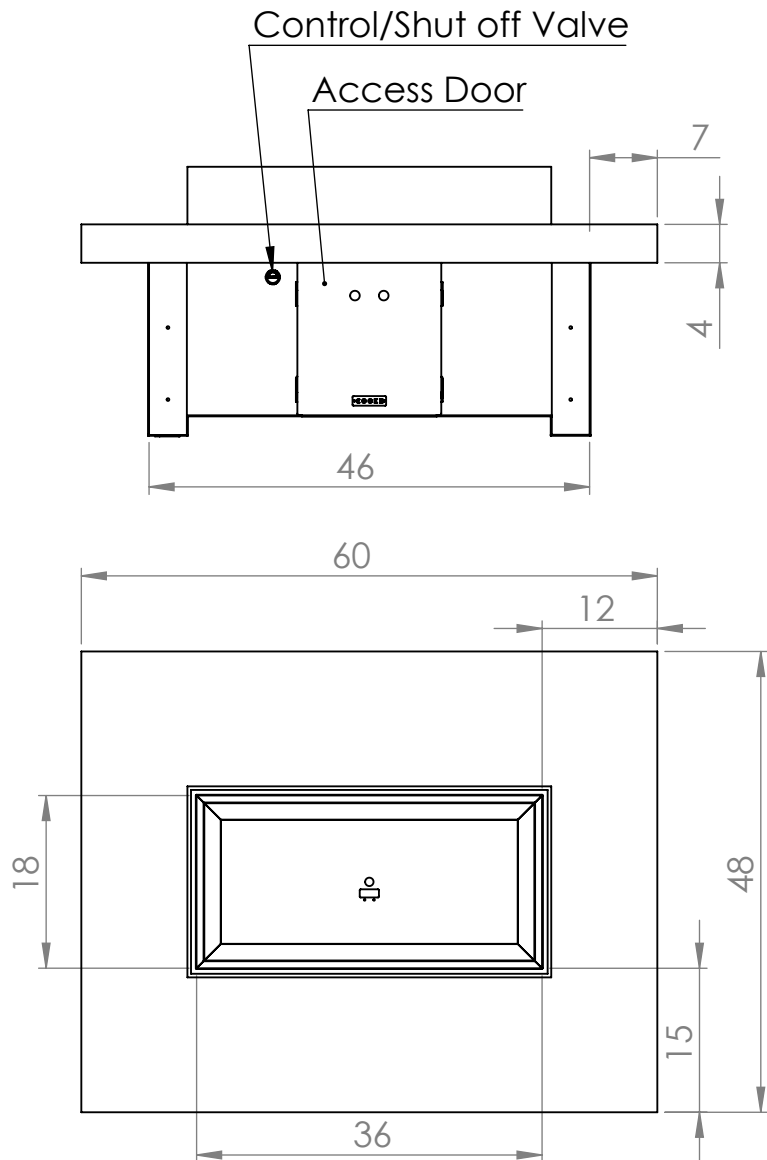
- Fire pit media  
Broken Glass, Lava rock  
Custom options include Ceramic stones, logs , etc.

- Fuel 100, 000 BTU  
Propane or Natural gas

- Optional forced air heat requires a 120 v 15 amp switched power

- Optional electronic Ignition requires 120v switched power

- Optional LED Lighting requires 120v switched power or Battery pack



UNLESS OTHERWISE SPECIFIED:

DIMENSIONS ARE IN INCHES  
TOLERANCES:  
FRACTIONAL  $\pm 1/32$   
ANGULAR: MACH  $\pm .5^\circ$  BEND  $\pm 1^\circ$   
TWO PLACE DECIMAL  $\pm .05$   
THREE PLACE DECIMAL  $\pm .010$

INTERPRET GEOMETRIC TOLERANCING PER: ANSI

MATERIAL  
**304**

FINISH  
**TBD**

DO NOT SCALE DRAWING

**PROPRIETARY AND CONFIDENTIAL**

THE INFORMATION CONTAINED IN THIS DRAWING IS THE SOLE PROPERTY OF DCI LLC. ANY REPRODUCTION IN PART OR AS A WHOLE WITHOUT THE WRITTEN PERMISSION OF DCI LLC IS PROHIBITED.

COMMENTS:

**COOKE**

CONTEMPORARY FURNITURE

info@cookefurniture.com 888-303-2453

TITLE:

**Balboa fire pit table  
48x60x22**

SIZE <b>A</b>	DWG. NO. Balboa-48x60x22	REV
------------------	-----------------------------	-----

SCALE: 1:20	WEIGHT:	SHEET 1 OF 1
-------------	---------	--------------