

The Balboa fire pit table is perfect for casual dining at 22 inches high this table is great for restaurants and social settings.

- Top Material  
Granite Tier 1,2,3, Stainless steel or Custom selection
- Base Options  
Powder coating in several standard colors or custom colors are available  
Copper plating with option of forced patina  
Brushed or polished 304 stainless steel

- Fire pit media  
Broken Glass, Lava rock  
Custom options include Ceramic stones, logs , etc.

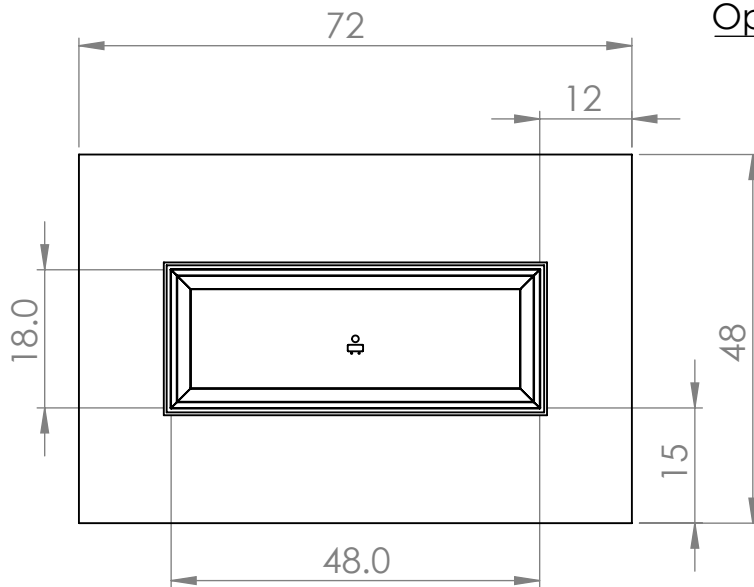
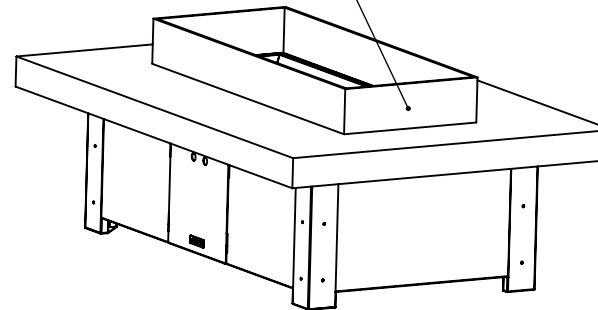
- Fuel 150, 000 BTU  
Propane or Natural gas

- Optional forced air heat requires a 120 v 15 amp switched power

- Optional electronic Ignition requires 120v switched power

- Optional LED Lighting requires 120v switched power or Battery pack

Optional glass wind screen



UNLESS OTHERWISE SPECIFIED:		<b>PROPRIETARY AND CONFIDENTIAL</b>	
DIMENSIONS ARE IN INCHES TOLERANCES: FRACTIONAL ± 1/32 ANGULAR: MACH ± .5° BEND ± 1° TWO PLACE DECIMAL ± .05 THREE PLACE DECIMAL ± .010		THE INFORMATION CONTAINED IN THIS DRAWING IS THE SOLE PROPERTY OF DCI LLC. ANY REPRODUCTION IN PART OR AS A WHOLE WITHOUT THE WRITTEN PERMISSION OF DCI LLC IS PROHIBITED.	
INTERPRET GEOMETRIC TOLERANCING PER: ANSI		COMMENTS:	
MATERIAL	304		
FINISH	TBD		
DO NOT SCALE DRAWING			
<b>COOKE</b> CONTEMPORARY FURNITURE info@cookefurniture.com 888-303-2453			
TITLE: <b>Balboa fire pit table 48x72x22</b>			
SIZE	DWG. NO.	REV	
<b>A</b>	Balboa-48x72x22		
SCALE: 1:20	WEIGHT:	SHEET 1 OF 1	