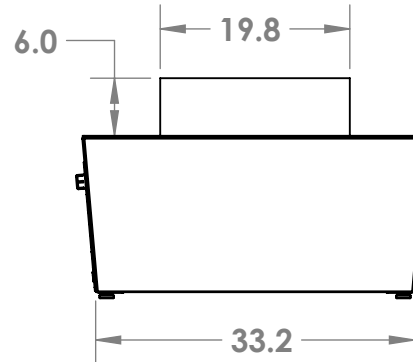
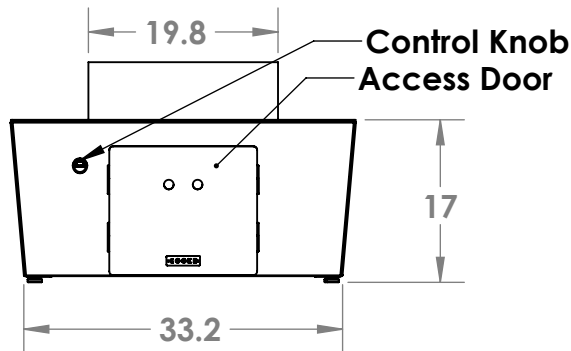


The Diego fire pit table is a sleek fire feature, That can be made in any custom size to fit your needs.

- Top Material
Granite Tier 1,2,3, Stainless steel or Custom selection
- Base Options
Powder coating in several standard colors or custom colors are available
Copper solid or plating
Brushed or polished 304 stainless steel
- Fire pit media
Broken Glass, Lava rock
Custom options include
Ceramic stones, logs , etc.
- Fuel 60, 000 BTU
Propane or Natural gas
- Optional forced air heat
requires a 120 v 15 amp
switched power
- Optional electronic Ignition
requires 120v switched power
- Optional LED Lighting
requires 120v switched power or
Battery pack



UNLESS OTHERWISE SPECIFIED:

DIMENSIONS ARE IN INCHES
TOLERANCES:
FRACTIONAL $\pm 1/32$
ANGULAR: MACH $\pm .5^\circ$ BEND $\pm 1^\circ$
TWO PLACE DECIMAL $\pm .05$
THREE PLACE DECIMAL $\pm .010$

INTERPRET GEOMETRIC
TOLERANCING PER: ANSI

MATERIAL
304

FINISH
TBD

DO NOT SCALE DRAWING

PROPRIETARY AND CONFIDENTIAL

THE INFORMATION CONTAINED IN THIS
DRAWING IS THE SOLE PROPERTY OF
DCI LLC. ANY REPRODUCTION IN
PART OR AS A WHOLE WITHOUT THE
WRITTEN PERMISSION OF
DCI LLC IS PROHIBITED.

COMMENTS:

COOKE

CONTEMPORARY FURNITURE

info@cookefurniture.com 888-303-2453

TITLE:

**Diego Fire Pit Table
36x36x17**

SIZE	DWG. NO.	REV
A	DF-ASM-36x36x17	A

SCALE: 1:24 WEIGHT: SHEET 1 OF 1