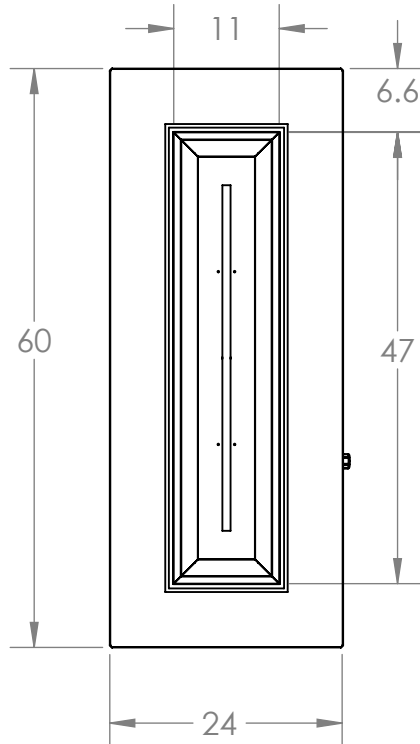
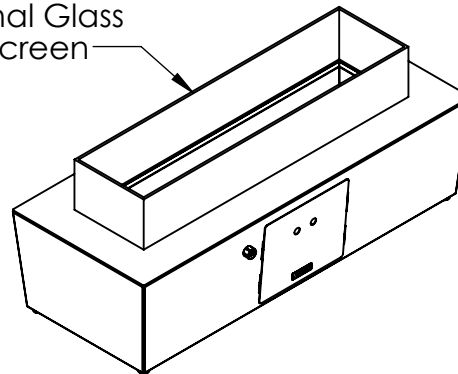


The Diego fire feature is perfect for heating up casual sitting areas at restaurants and private locations with ambiance and warmth.

- Top Material
Stainless steel plate or Custom material
- Base :
Copper plating with option of forced patina
Brushed 304 stainless steel
Electro polish
Powder coating in several standard colors or custom colors and materials are available
- Fire pit media
Broken Glass, Lava rock
Custom options include Ceramic stones, logs , etc.
- Fuel 100,000 BTU
Propane or Natural gas
- Forced air heat: Optional requires a 120 v 15 amp switched power
- Electronic Ignition: Optional requires switched power



Optional Glass wind Screen



UNLESS OTHERWISE SPECIFIED:

DIMENSIONS ARE IN INCHES
TOLERANCES:
FRACTIONAL $\pm 1/32$
ANGULAR: MACH $\pm .5^\circ$ BEND $\pm 1^\circ$
TWO PLACE DECIMAL $\pm .05$
THREE PLACE DECIMAL $\pm .010$

INTERPRET GEOMETRIC
TOLERANCING PER: ANSI

MATERIAL
304 SS

FINISH
TBD

DO NOT SCALE DRAWING

PROPRIETARY AND CONFIDENTIAL

THE INFORMATION CONTAINED IN THIS
DRAWING IS THE SOLE PROPERTY OF
DCI LLC. ANY REPRODUCTION IN
PART OR AS A WHOLE WITHOUT THE
WRITTEN PERMISSION OF
DCI LLC IS PROHIBITED.

COMMENTS:

COOKE

CONTEMPORARY FURNITURE

info@cookefurniture.com 888-303-2453

TITLE:

Diego Fire Pit 60x24x17

SIZE DWG. NO.

A DSCLL-ASM-60x24x17

REV

A

SCALE: 1:24 WEIGHT:

SHEET 1 OF 1