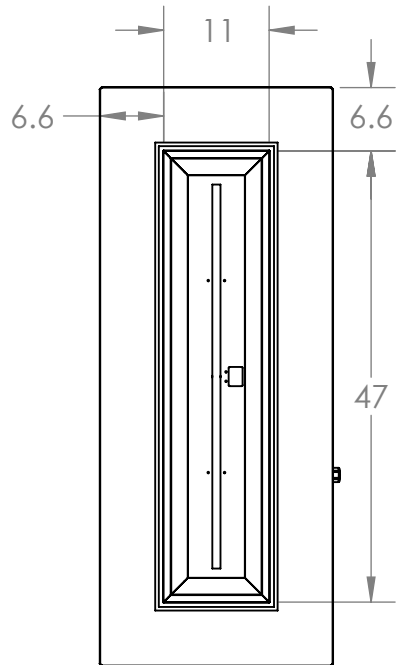


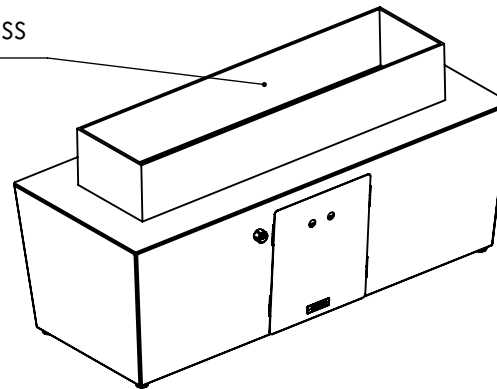
The Diego fire feature is perfect for heating up casual sitting areas at restaurants and private locations with ambiance and warmth.

- Top Material  
Stainless steel plate or Custom material
- Base :  
Copper plating with option of forced patina  
Brushed 304 stainless steel  
Electro polish  
Powder coating in several standard colors or custom colors and materials are available

- Fire pit media  
Broken Glass, Lava rock  
Custom options include Ceramic stones, logs , etc.
- Fuel 100,000 BTU  
Propane or Natural gas
- Forced air heat: Optional requires a 120 v 15 amp switched power
- Electronic Ignition: Optional requires 120v switched power



Optional Glass Wind Screen



UNLESS OTHERWISE SPECIFIED:

DIMENSIONS ARE IN INCHES  
TOLERANCES:  
FRACTIONAL  $\pm 1/32$   
ANGULAR: MACH  $\pm .5^\circ$  BEND  $\pm 1^\circ$   
TWO PLACE DECIMAL  $\pm .05$   
THREE PLACE DECIMAL  $\pm .010$

INTERPRET GEOMETRIC  
TOLERANCING PER: ANSI

MATERIAL  
304 SS

FINISH  
TBD

DO NOT SCALE DRAWING

PROPRIETARY AND CONFIDENTIAL

THE INFORMATION CONTAINED IN THIS  
DRAWING IS THE SOLE PROPERTY OF  
DCI LLC. ANY REPRODUCTION IN  
PART OR AS A WHOLE WITHOUT THE  
WRITTEN PERMISSION OF  
DCI LLC IS PROHIBITED.

COMMENTS:

**COOKE**

CONTEMPORARY FURNITURE

info@cookefurniture.com 888-303-2453

TITLE:

Diego Fire Pit 60x24x21

SIZE	DWG. NO.	REV
<b>A</b>	DSCLL-ASM-60x24x21	<b>A</b>

SCALE: 1:24 WEIGHT: SHEET 1 OF 1