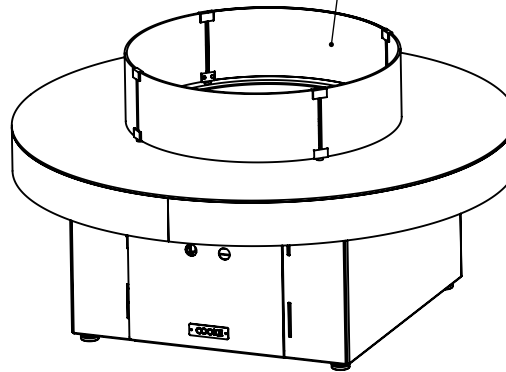


Optional glass wind screen



The Santa Barbara fire pit table has a bold style and fits a standard bbq propane tank in the base that is easy to exchange or fill at you local gas station.

- Top Material
3/16 Aluminum plate or Granite Tier 1,2,3 or personal slab selection

- Base
14 GA Alumnum
Powder coating in several standard colors or custom colors are available.

- Fire pit
304 SS pan, lid and burner
Optional glass wind screen
Media: Broken Glass, Lava rock
Custom options include Ceramic stones, logs , etc.

- Fuel
60,000 BTU Propane or Natural gas

- Optional Full Electronic Ignition available requires 120v switched power

UNLESS OTHERWISE SPECIFIED:

DIMENSIONS ARE IN INCHES
TOLERANCES:
FRACTIONAL $\pm 1/32$
ANGULAR: MACH $\pm .5^\circ$ BEND $\pm 1^\circ$
TWO PLACE DECIMAL $\pm .05$
THREE PLACE DECIMAL $\pm .010$

INTERPRET GEOMETRIC TOLERANCING PER: ANSI

MATERIAL
Aluminum

FINISH
TDB

DO NOT SCALE DRAWING

PROPRIETARY AND CONFIDENTIAL

THE INFORMATION CONTAINED IN THIS DRAWING IS THE SOLE PROPERTY OF DCI LLC. ANY REPRODUCTION IN PART OR AS A WHOLE WITHOUT THE WRITTEN PERMISSION OF DCI LLC IS PROHIBITED.

COMMENTS:

COOKE

CONTEMPORARY FURNITURE

info@cookefurniture.com 888-303-2453

TITLE:

**Santa Barbara Fire Pit Table
42DIAx17**

SIZE	DWG. NO.	REV
A	MT-SOCAL-42DIAx17	

SCALE: 1:24 WEIGHT: SHEET 1 OF 1