

The Parkway fire pit table with the 48x48x4 top makes a bold statement and is Perfect for casual dining with plenty of room for glasses and plates.

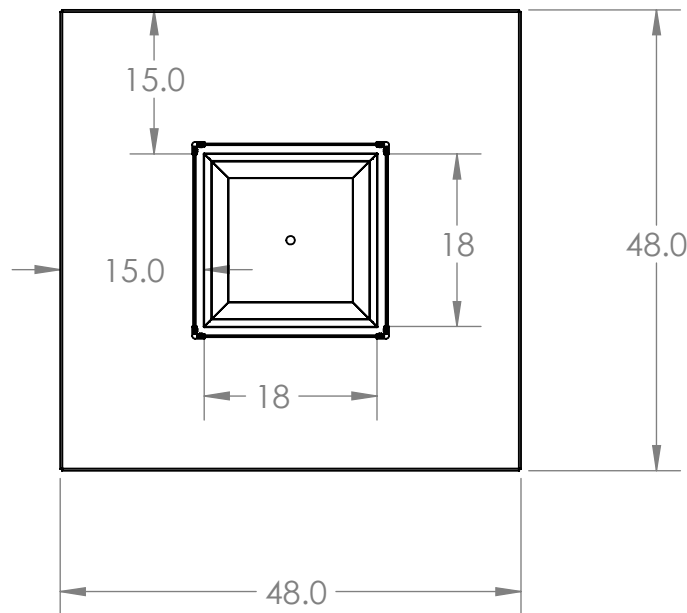
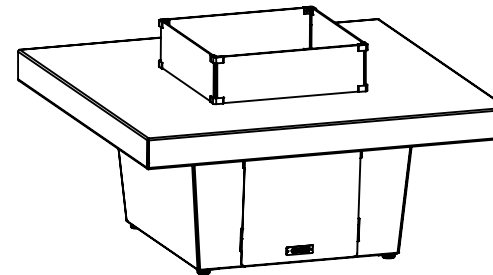
- Top Material  
Formed Aluminum  
Brushed or Powder coated in several standard colors  
Granite Tier 1,2,3  
Custom options are available

- Base  
14 GA Aluminum  
Powder coated in several standard colors or custom colors are available

- Fire pit  
304 SS pan, lid and burner  
Optional glass wind screen  
Media: Broken Glass, Lava rock  
Custom options include Ceramic stones, logs , etc.

- Fuel 60,000 BTU  
Propane or Natural gas

- Ignition: Match lit, Full Electronic Ignition available requires 120v switched power



UNLESS OTHERWISE SPECIFIED:		<b>PROPRIETARY AND CONFIDENTIAL</b>		Cooke Furniture So Cal Collection	
DIMENSIONS ARE IN INCHES TOLERANCES: FRACTIONAL ± ANGULAR: MACH ± .5 BEND ± TWO PLACE DECIMAL ± .02 THREE PLACE DECIMAL ± .005		THE INFORMATION CONTAINED IN THIS DRAWING IS THE SOLE PROPERTY OF DCI LLC. ANY REPRODUCTION IN PART OR AS A WHOLE WITHOUT THE WRITTEN PERMISSION OF DCI LLC IS PROHIBITED.		TITLE: Parkway Fire Pit table Spec Sheet david@cookefurniture.com 951-805-0314	
INTERPRET GEOMETRIC TOLERANCING PER: ANSI		COMMENTS:		SIZE DWG. NO. REV <b>A</b> SCLL-ASM-48x48x21 <b>A</b>	
MATERIAL Aluminum					
FINISH TBD					
DO NOT SCALE DRAWING				SCALE: 1:24 WEIGHT: 150 lbs SHEET 1 OF 1	