

22H with granite top

The Parkway fire pit table is perfect for casual dining with plenty of room for glasses and plates.

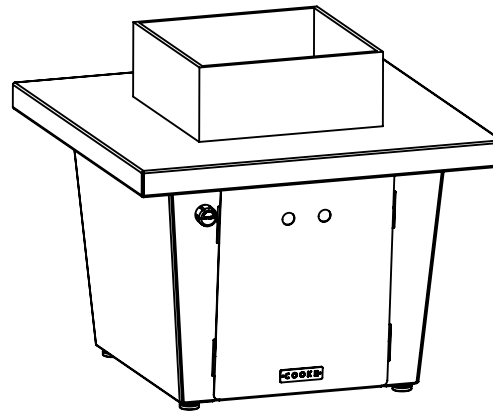
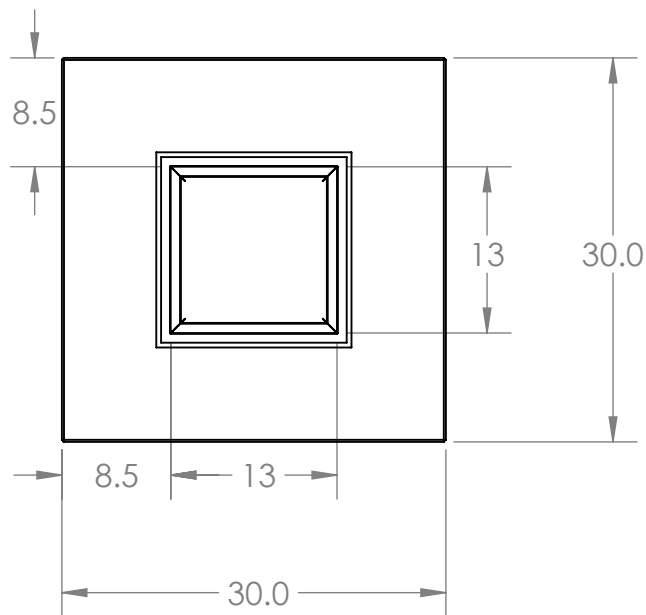
- Top Material
Formed Aluminum
Brushed or Powder coated in several standard colors
Granite Tier 1,2,3
Custom options are available

- Base
14 GA Aluminum
Powder coated in several standard colors or custom colors are available

- Fire pit
304 SS pan, lid and burner
Optional glass wind screen
Media: Broken Glass, Lava rock
Custom options include Ceramic stones, logs , etc.

- Fuel 60,000 BTU
Propane or Natural gas

- Ignition: Match lit, Full Electronic Ignition available requires 120v switched power



UNLESS OTHERWISE SPECIFIED:

DIMENSIONS ARE IN INCHES
TOLERANCES:
FRACTIONAL $\pm 1/32$
ANGULAR: MACH $\pm .5^\circ$ BEND $\pm 1^\circ$
TWO PLACE DECIMAL $\pm .05$
THREE PLACE DECIMAL $\pm .010$

INTERPRET GEOMETRIC TOLERANCING PER: ANSI

MATERIAL
Aluminum

FINISH
TBD

DO NOT SCALE DRAWING

PROPRIETARY AND CONFIDENTIAL

THE INFORMATION CONTAINED IN THIS DRAWING IS THE SOLE PROPERTY OF DCI LLC. ANY REPRODUCTION IN PART OR AS A WHOLE WITHOUT THE WRITTEN PERMISSION OF DCI LLC IS PROHIBITED.

COMMENTS:

COOKE

CONTEMPORARY FURNITURE

info@cookefurniture.com 888-303-2453

TITLE:

Parkway Fire Pit Table
30x30x21

SIZE	DWG. NO.	REV
A	SCLL-ASM-30x30x21	A

SCALE: 1:24	WEIGHT:	SHEET 1 OF 1
-------------	---------	--------------