

22H with granite top

The Parkway fire pit table with the 40x40x4 top makes a bold statement and is Perfect for casual dining with plenty of room for glasses and plates.

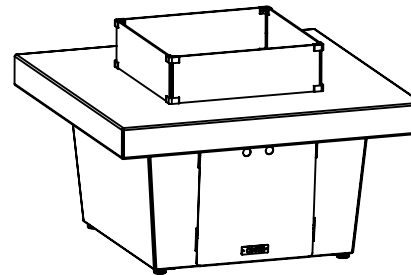
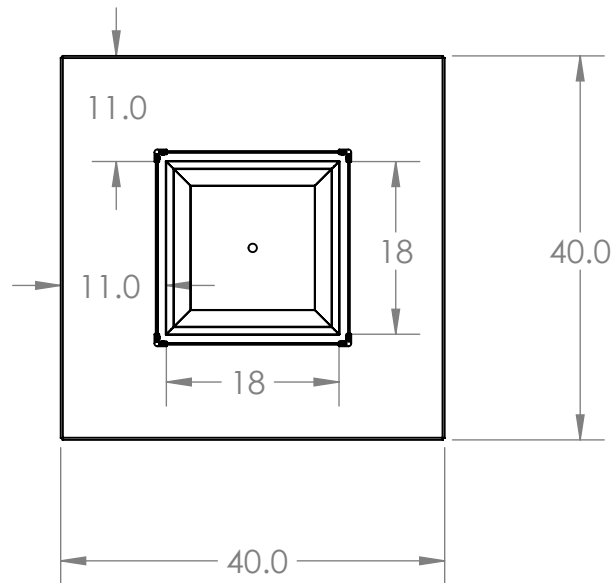
- Top Material
Formed Aluminum
Brushed or Powder coated in several standard colors
Granite Tier 1,2,3
Custom options are available

- Base
14 GA Aluminum
Powder coated in several standard colors or custom colors are available

- Fire pit
304 SS pan, lid and burner
Optional glass wind screen
Media: Broken Glass, Lava rock
Custom options include Ceramic stones, logs , etc.

- Fuel 60,000 BTU
Propane or Natural gas

- Ignition: Match lit, Full Electronic Ignition available requires 120v switched power



UNLESS OTHERWISE SPECIFIED:		PROPRIETARY AND CONFIDENTIAL																									
DIMENSIONS ARE IN INCHES TOLERANCES: FRACTIONAL $\pm 1/32$ ANGULAR: MACH $\pm .5^\circ$ BEND $\pm 1^\circ$ TWO PLACE DECIMAL $\pm .05$ THREE PLACE DECIMAL $\pm .010$		THE INFORMATION CONTAINED IN THIS DRAWING IS THE SOLE PROPERTY OF DCI LLC. ANY REPRODUCTION IN PART OR AS A WHOLE WITHOUT THE WRITTEN PERMISSION OF DCI LLC IS PROHIBITED.																									
INTERPRET GEOMETRIC TOLERANCING PER: ANSI		COMMENTS:																									
MATERIAL Aluminum		<table border="1"> <tr> <td colspan="2">COOKE</td> <td colspan="2">CONTEMPORARY FURNITURE</td> </tr> <tr> <td colspan="4">info@cookefurniture.com 888-303-2453</td> </tr> <tr> <td colspan="4">TITLE: Parkway Fire Pit Table 40x40x22</td> </tr> <tr> <td>SIZE</td> <td>DWG. NO.</td> <td colspan="2">REV</td> </tr> <tr> <td>A</td> <td>SCLL-ASM-40x40x21</td> <td colspan="2">A</td> </tr> <tr> <td colspan="2">SCALE: 1:24</td> <td>WEIGHT:</td> <td>SHEET 1 OF 1</td> </tr> </table>		COOKE		CONTEMPORARY FURNITURE		info@cookefurniture.com 888-303-2453				TITLE: Parkway Fire Pit Table 40x40x22				SIZE	DWG. NO.	REV		A	SCLL-ASM-40x40x21	A		SCALE: 1:24		WEIGHT:	SHEET 1 OF 1
COOKE				CONTEMPORARY FURNITURE																							
info@cookefurniture.com 888-303-2453																											
TITLE: Parkway Fire Pit Table 40x40x22																											
SIZE	DWG. NO.	REV																									
A	SCLL-ASM-40x40x21	A																									
SCALE: 1:24		WEIGHT:	SHEET 1 OF 1																								
FINISH TBD																											
DO NOT SCALE DRAWING																											