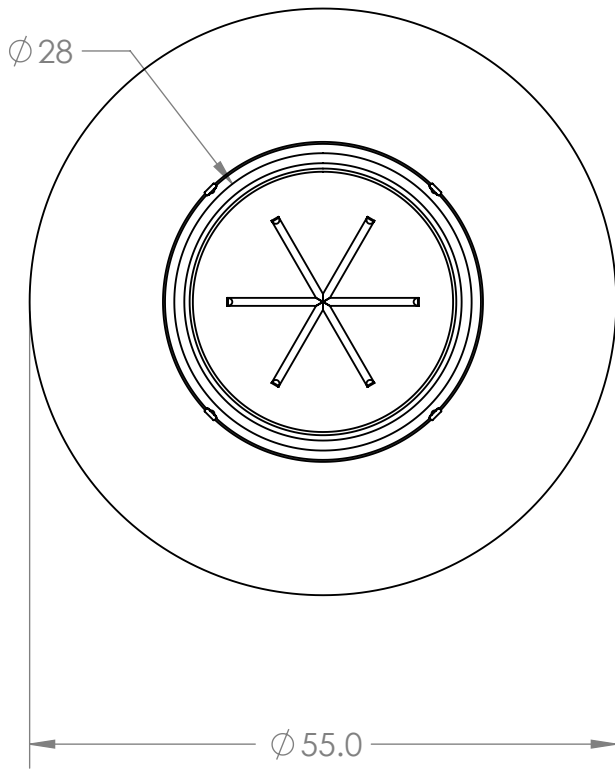
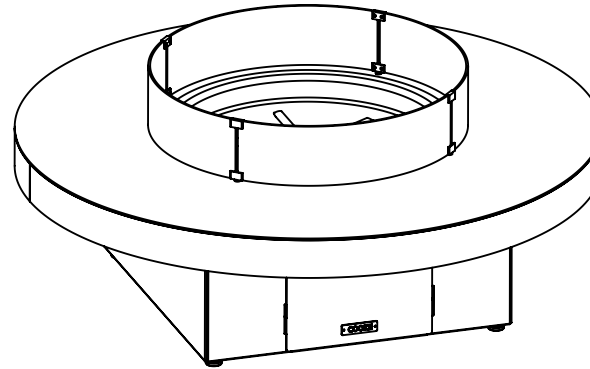
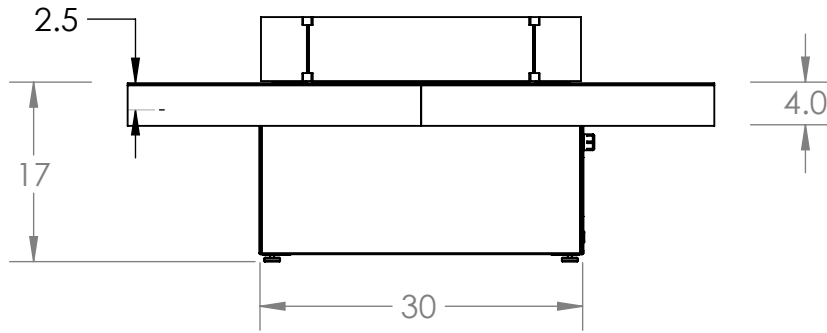
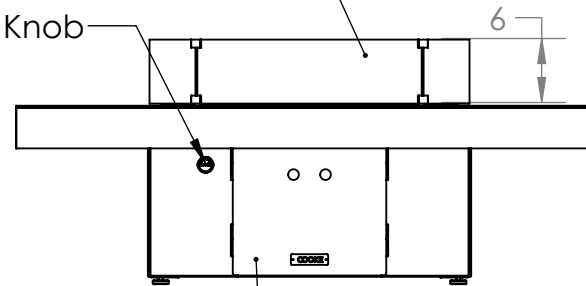


Stone Tops will be 2.5" thick



Optional Glass wind screen

Control Knob



Access Door for tank or gas connection

The Santa Barbara fire pit table has a bold style, this low table top is pleasing to the eye and ideal for putting your feet up while watching the sun set.

- Top Material  
Formed Aluminum Brushed or Powder coated in several standard colors Granite Tier 1,2,3 Custom options are available

- Base  
14 GA Aluminum Powder coated in several standard colors or custom colors are available

- Fire pit  
304 SS pan, lid and burner  
Optional glass wind screen  
Media: Broken Glass, Lava rock  
Custom options include Ceramic stones, logs , etc.

- Fuel 100,000 BTU  
Propane or Natural gas

- Ignition: Match lit, Full Electronic Ignition available requires 120v switched power

UNLESS OTHERWISE SPECIFIED:

DIMENSIONS ARE IN INCHES  
TOLERANCES:  
FRACTIONAL ± 1/32  
ANGULAR: MACH ± .5° BEND ± 1°  
TWO PLACE DECIMAL ± .05  
THREE PLACE DECIMAL ± .010

INTERPRET GEOMETRIC TOLERANCING PER: ANSI

MATERIAL  
**Aluminum**  
FINISH  
**TBD**

DO NOT SCALE DRAWING

**PROPRIETARY AND CONFIDENTIAL**

THE INFORMATION CONTAINED IN THIS DRAWING IS THE SOLE PROPERTY OF **DCI LLC**. ANY REPRODUCTION IN PART OR AS A WHOLE WITHOUT THE WRITTEN PERMISSION OF **DCI LLC** IS PROHIBITED.

COMMENTS:

**COOKE**

CONTEMPORARY FURNITURE

info@cookefurniture.com 888-303-2453

TITLE:

Santa Barbara 55DIA  
round fire pit Table

SIZE  
**A**

DWG. NO.  
SBFT-55DIAx17

REV  
**A**

SCALE: 1:16 WEIGHT:

SHEET 1 OF 2