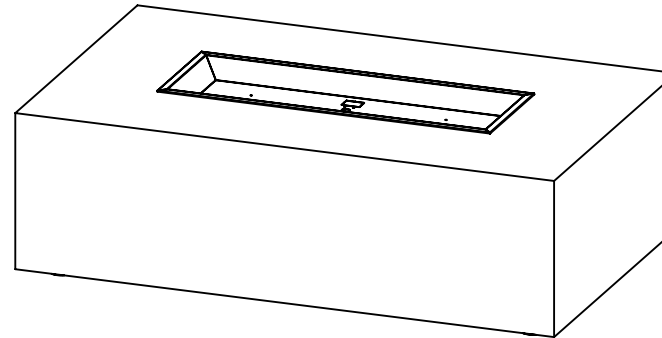
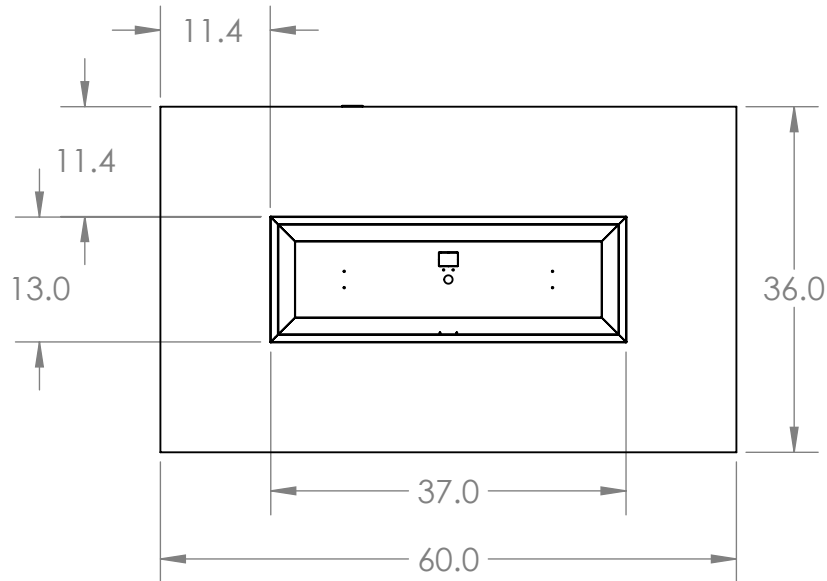


Key Valve

Optional door
for tank



The Famosa fire pit table has a timeless design and features a drawer to hide a propane tank.

- Top Material Granite Tier 1,2,3 or personal slab selection

- Base Frame Made from 304 stainless steel square tubing

- Fire pit media Broken Glass, Lava rock Custom options include Ceramic stones, logs , etc.

- Fuel 60,000 BTU Propane or Natural gas

- Electronic Ignition: yes or no requires 120v switched power

UNLESS OTHERWISE SPECIFIED:

PROPRIETARY AND CONFIDENTIAL

DIMENSIONS ARE IN INCHES
TOLERANCES:
FRACTIONAL ± 1/32
ANGULAR: MACH ± .5° BEND ± 1°
TWO PLACE DECIMAL ± .05
THREE PLACE DECIMAL ± .010

THE INFORMATION CONTAINED IN THIS DRAWING IS THE SOLE PROPERTY OF DCI LLC. ANY REPRODUCTION IN PART OR AS A WHOLE WITHOUT THE WRITTEN PERMISSION OF DCI LLC IS PROHIBITED.

INTERPRET GEOMETRIC TOLERANCING PER: ANSI

COMMENTS:

MATERIAL

FINISH

DO NOT SCALE DRAWING

COOKE

CONTEMPORARY FURNITURE

info@cookefurniture.com 888-303-2453

TITLE:

Famosa Fire Pit 36x60x18

SIZE DWG. NO.

A FAM-ASM-36x60x18

REV

A

SCALE: 1:24 WEIGHT:

SHEET 1 OF 1

5

4

3

2

1