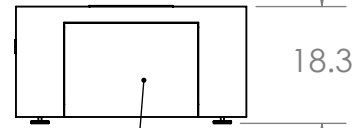


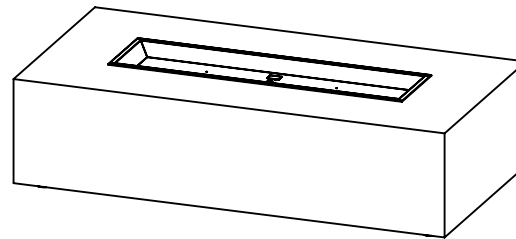
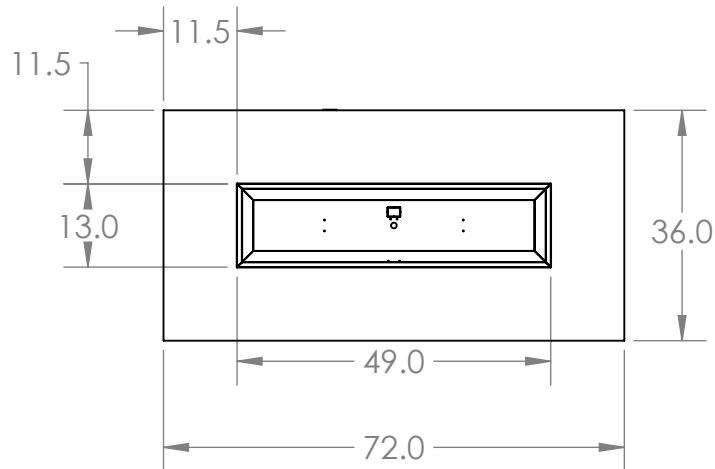


Control Valve



Optional Access door for propane tank

18.3



The Famosa fire pit table has a timeless design and features a drawer to hide a propane tank.

- Top Material
Granite Tier 1,2,3, or custom solid surface selection
- Base Frame
Made from 304 stainless steel square tubing
- Fire pit media
Broken Glass, Lava rock
Custom options include Ceramic stones, logs , etc.
- Fuel 250, 000 BTU
Propane or Natural gas
- Optional Electronic Ignition:
requires 120v switched power

UNLESS OTHERWISE SPECIFIED:		PROPRIETARY AND CONFIDENTIAL		COOKE <small>CONTEMPORARY FURNITURE</small>	
DIMENSIONS ARE IN INCHES TOLERANCES: FRACTIONAL ± 1/32 ANGULAR: MACH ± .5° BEND ± 1° TWO PLACE DECIMAL ± .05 THREE PLACE DECIMAL ± .010		THE INFORMATION CONTAINED IN THIS DRAWING IS THE SOLE PROPERTY OF DCI LLC. ANY REPRODUCTION IN PART OR AS A WHOLE WITHOUT THE WRITTEN PERMISSION OF DCI LLC IS PROHIBITED.		info@cookefurniture.com 888-303-2453	
INTERPRET GEOMETRIC TOLERANCING PER: ANSI		COMMENTS:		TITLE: Famosa Fire pit 36x72x18	
MATERIAL	TBD	SIZE	DWG. NO.	REV	
FINISH	TBD	A	FAM- 36x72x18	A	
DO NOT SCALE DRAWING		SCALE: 1:24 WEIGHT:		SHEET 1 OF 1	