

The Famosa fire pit table has a timeless design and features a sleek low profile.

- Top Material
Granite Tier 1,2,3, or custom solid surface selection

- Base Frame
Made from 304 stainless steel square tubing

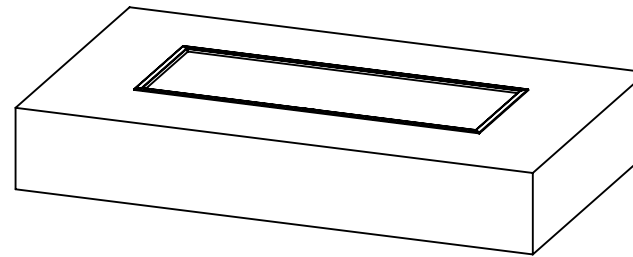
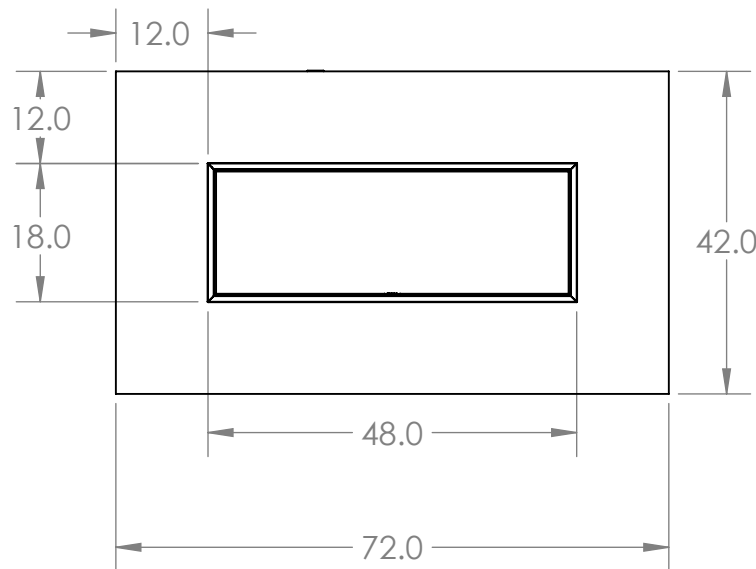
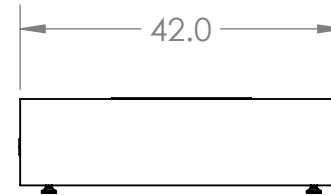
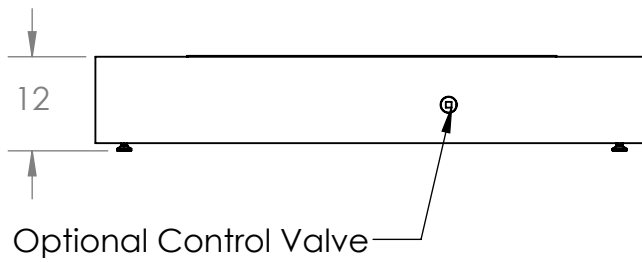
- Optional Glass Wind Screen
3/8 Clear or Starphire glass

- Fire pit media
Broken Glass, Lava rock
Custom options include
Ceramic stones, logs , etc.

- Fuel 90,000 BTU
Propane or Natural gas

- Optional Electronic Ignition:
requires 120v switched power

- Optional LED lighting: requires
12VDC switched power



UNLESS OTHERWISE SPECIFIED:		PROPRIETARY AND CONFIDENTIAL		COOKE <small>CONTEMPORARY FURNITURE</small>	
DIMENSIONS ARE IN INCHES TOLERANCES: FRACTIONAL $\pm 1/32$ ANGULAR: MACH $\pm .5^\circ$ BEND $\pm 1^\circ$ TWO PLACE DECIMAL $\pm .05$ THREE PLACE DECIMAL $\pm .010$		THE INFORMATION CONTAINED IN THIS DRAWING IS THE SOLE PROPERTY OF DCI LLC . ANY REPRODUCTION IN PART OR AS A WHOLE WITHOUT THE WRITTEN PERMISSION OF DCI LLC IS PROHIBITED.		info@cookefurniture.com 888-303-2453	
INTERPRET GEOMETRIC TOLERANCING PER: ANSI		COMMENTS:		TITLE: Famosa Fire pit 42x72x12	
MATERIAL	TBD	SIZE	DWG. NO.	REV	
FINISH	TBD	A	FAM- 42x72x12	A	
DO NOT SCALE DRAWING		SCALE: 1:24		WEIGHT:	SHEET 1 OF 1