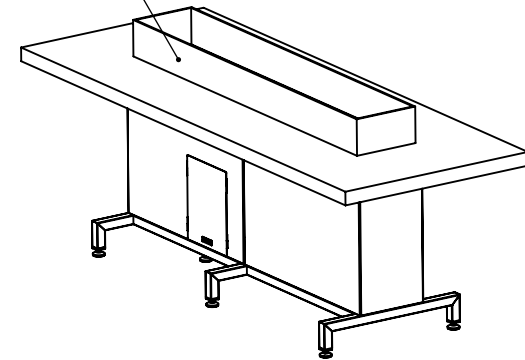


Glass wind Screen



UNLESS OTHERWISE SPECIFIED:

DIMENSIONS ARE IN INCHES
 TOLERANCES:
 FRACTIONAL $\pm 1/32$
 ANGULAR: MACH $\pm .5^\circ$ BEND $\pm 1^\circ$
 TWO PLACE DECIMAL $\pm .05$
 THREE PLACE DECIMAL $\pm .010$

INTERPRET GEOMETRIC
 TOLERANCING PER: ANSI

MATERIAL
304

FINISH
TBD

DO NOT SCALE DRAWING

PROPRIETARY AND CONFIDENTIAL

THE INFORMATION CONTAINED IN THIS
 DRAWING IS THE SOLE PROPERTY OF
DCI LLC. ANY REPRODUCTION IN
 PART OR AS A WHOLE WITHOUT THE
 WRITTEN PERMISSION OF
DCI LLC IS PROHIBITED.

COMMENTS:

COOKE

CONTEMPORARY FURNITURE

info@cookefurniture.com 888-303-2453

TITLE:

**LONG BEACH
 COMMUNITY TABLE
 46x120x42**

SIZE DWG. NO.

A LBC-ASM-46x120x42

REV

A

SCALE: 1:48 WEIGHT:

SHEET 1 OF 2