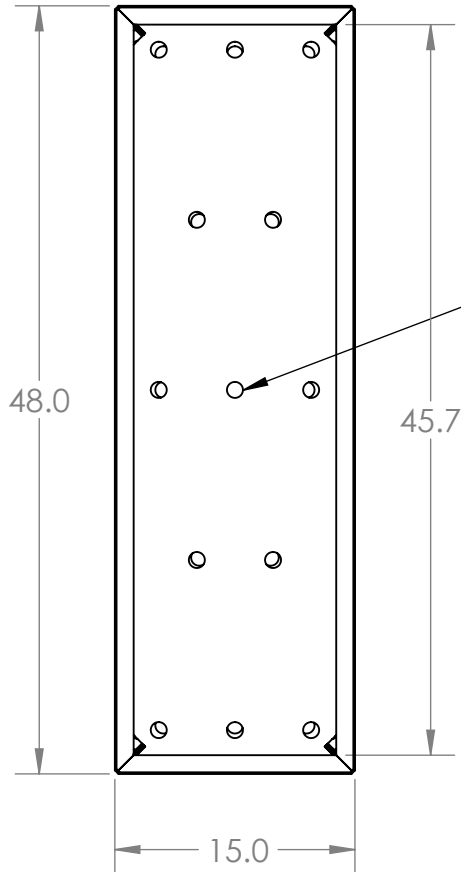
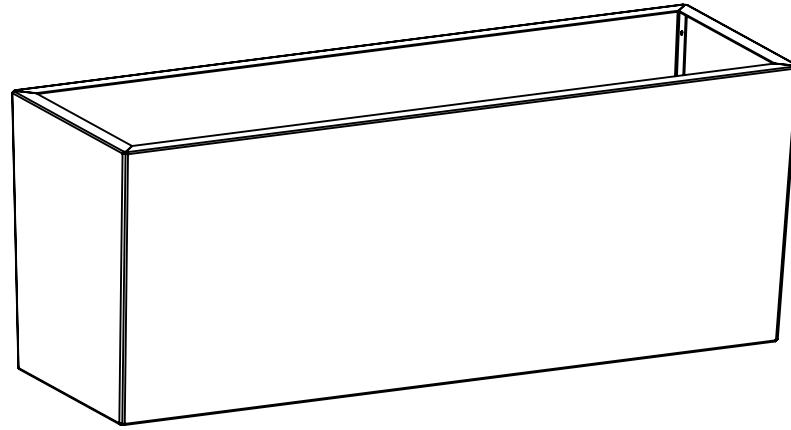


Optional Sub Floor



Optional drain holes

Our Newport planter collection offers a slim minimalist style which can be custom tailored to your needs. The unique design provides a lightweight alternative to traditional planters which is ideal for roof top applications. The stainless steel construction insures they will the test of time and avoid cracking from bulging roots.

Material: 304 stainless steel, mild, Corten steel or solid Copper

Finish: Powder coated, brushed or Custom

Custom sizes available

UNLESS OTHERWISE SPECIFIED:		PROPRIETARY AND CONFIDENTIAL	
DIMENSIONS ARE IN INCHES TOLERANCES: FRACTIONAL $\pm 1/32$ ANGULAR: MACH $\pm .5^\circ$ BEND $\pm 1^\circ$ TWO PLACE DECIMAL $\pm .05$ THREE PLACE DECIMAL $\pm .010$		THE INFORMATION CONTAINED IN THIS DRAWING IS THE SOLE PROPERTY OF DCI LLC . ANY REPRODUCTION IN PART OR AS A WHOLE WITHOUT THE WRITTEN PERMISSION OF DCI LLC IS PROHIBITED.	
INTERPRET GEOMETRIC TOLERANCING PER: ANSI		COMMENTS:	
MATERIAL	TBD		
FINISH	TBD		
DO NOT SCALE DRAWING			
COOKE <small>CONTEMPORARY FURNITURE</small>			
info@cookefurniture.com 888-303-2453			
TITLE: Newport Planter 15X48X18			
SIZE	DWG. NO.	REV	
A	NPP-ASM-15X48X18		
SCALE: 1:8	WEIGHT:	SHEET 1 OF 1	