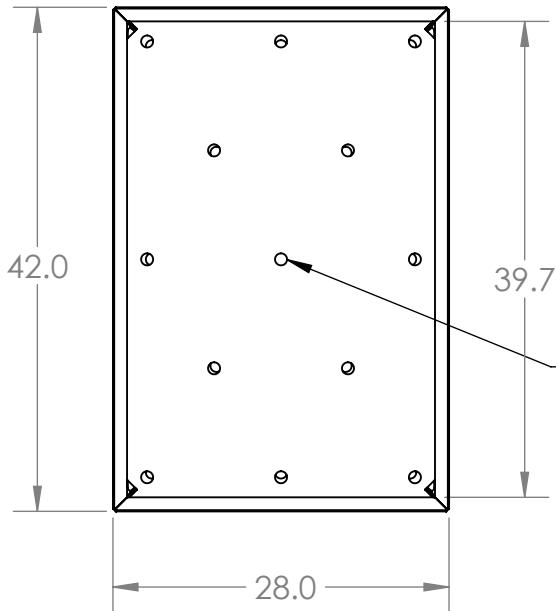
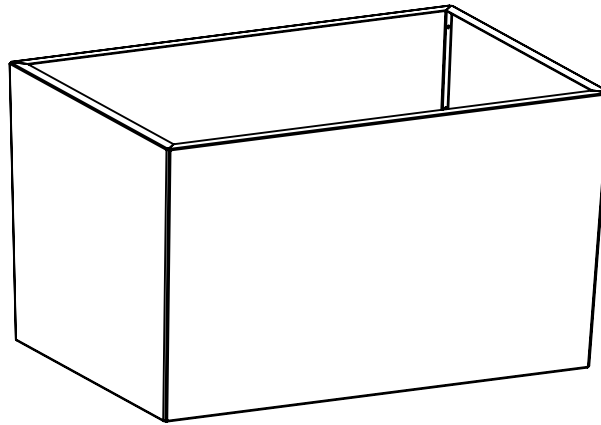


Optional Sub Floor



Optional drain holes

Our Newport planter collection offers a slim minimalist style which can be custom tailored to your needs. The unique design provides a lightweight alternative to traditional planters which is ideal for roof top applications. The stainless steel construction insures they will the test of time and avoid cracking from bulging roots.

Material: 304 stainless steel, mild, Corten steel or solid Copper

Finish: Powder coated, brushed or Custom

Custom sizes available

UNLESS OTHERWISE SPECIFIED:  
 DIMENSIONS ARE IN INCHES  
 TOLERANCES:  
 FRACTIONAL  $\pm 1/32$   
 ANGULAR: MACH  $\pm .5^\circ$  BEND  $\pm 1^\circ$   
 TWO PLACE DECIMAL  $\pm .05$   
 THREE PLACE DECIMAL  $\pm .010$

**PROPRIETARY AND CONFIDENTIAL**

THE INFORMATION CONTAINED IN THIS DRAWING IS THE SOLE PROPERTY OF DCI LLC. ANY REPRODUCTION IN PART OR AS A WHOLE WITHOUT THE WRITTEN PERMISSION OF DCI LLC IS PROHIBITED.

INTERPRET GEOMETRIC TOLERANCING PER: ANSI

MATERIAL  
TBD

FINISH  
TBD

DO NOT SCALE DRAWING

COMMENTS:

**COOKE**

CONTEMPORARY FURNITURE

info@cookefurniture.com 888-303-2453

TITLE:

Newport Planter 28X42X24

SIZE	DWG. NO.	REV
<b>A</b>	NPP-ASM-28X42X24	

SCALE: 1:8 WEIGHT: SHEET 1 OF 1