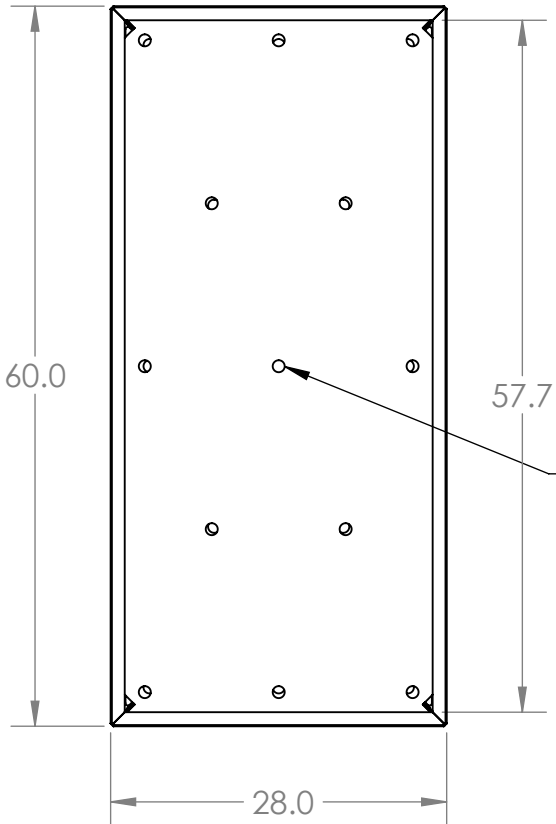
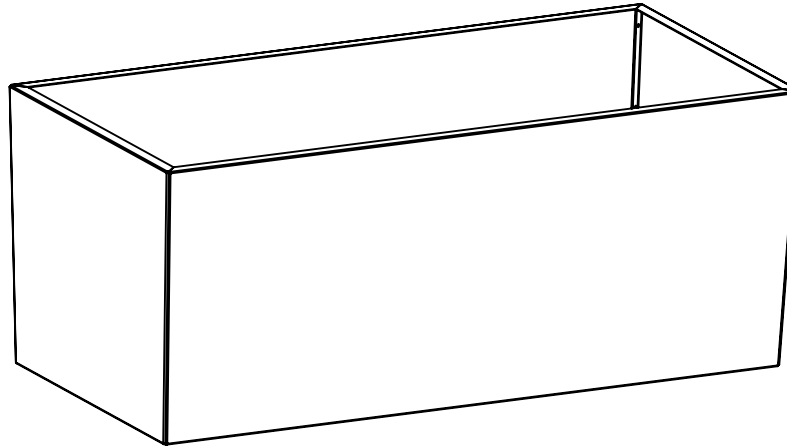


Optional Sub Floor



Optional drain holes

Our Newport planter collection offers a slim minimalist style which can be custom tailored to your needs. The unique design provides a lightweight alternative to traditional planters which is ideal for roof top applications. The stainless steel construction insures they will the test of time and avoid cracking from bulging roots.

Material: 304 stainless steel, mild, Corten steel or solid Copper

Finish: Powder coated, brushed or Custom

Custom sizes available

UNLESS OTHERWISE SPECIFIED:
 DIMENSIONS ARE IN INCHES
 TOLERANCES:
 FRACTIONAL $\pm 1/32$
 ANGULAR: MACH $\pm .5^\circ$ BEND $\pm 1^\circ$
 TWO PLACE DECIMAL $\pm .05$
 THREE PLACE DECIMAL $\pm .010$

PROPRIETARY AND CONFIDENTIAL

THE INFORMATION CONTAINED IN THIS DRAWING IS THE SOLE PROPERTY OF DCI LLC. ANY REPRODUCTION IN PART OR AS A WHOLE WITHOUT THE WRITTEN PERMISSION OF DCI LLC IS PROHIBITED.

INTERPRET GEOMETRIC TOLERANCING PER: ANSI

MATERIAL TBD

FINISH TBD

DO NOT SCALE DRAWING

COMMENTS:

COOKE

CONTEMPORARY FURNITURE

info@cookefurniture.com 888-303-2453

TITLE:

Newport Planter 28X60X24

SIZE	DWG. NO.	REV
A	NPP-ASM-28X60X24	

SCALE: 1:8 WEIGHT: SHEET 1 OF 1