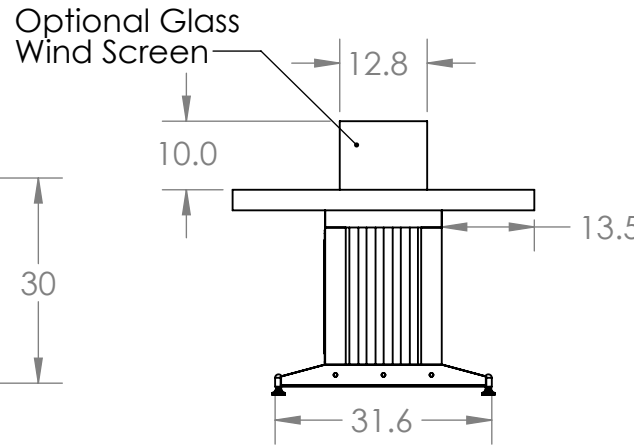
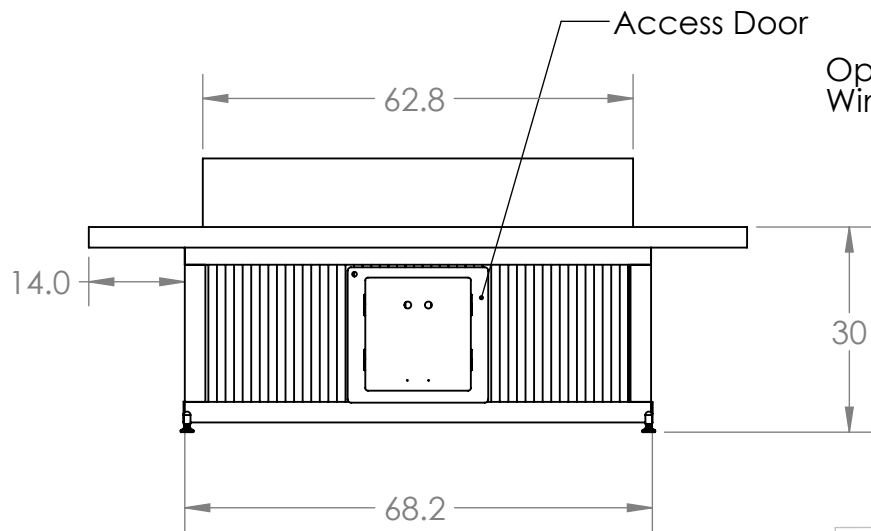


The Santa Monica fire pit table has a cool industrial vibe and is perfect for a commercial bar top dining table.

- Top Material  
Granite Tier 1,2,3, Stainless steel or Custom selection
- Steel Base Frame Options  
Powder coating in several standard colors or custom colors are available, Hot Dip Galvanized
- Steel Side Panel Options  
Bonderized corrugated steel, flat steel, Raw or Powder coated, Cor Ten steel or Galvanized
- Fire pit media  
Broken Glass, Lava rock  
Custom options include Ceramic stones, logs , etc.
- Fuel 120, 000 BTU  
Propane or Natural gas
- Optional forced air heat requires a 120 v 15 amp switched power
- Optional electronic Ignition requires 120v switched power
- Optional LED Lighting requires 120v switched power or Battery pack



UNLESS OTHERWISE SPECIFIED:

DIMENSIONS ARE IN INCHES  
TOLERANCES:  
FRACTIONAL  $\pm 1/32$   
ANGULAR: MACH  $\pm .5^\circ$  BEND  $\pm 1^\circ$   
TWO PLACE DECIMAL  $\pm .05$   
THREE PLACE DECIMAL  $\pm .010$

INTERPRET GEOMETRIC TOLERANCING PER: ANSI

MATERIAL

FINISH

DO NOT SCALE DRAWING

**PROPRIETARY AND CONFIDENTIAL**

THE INFORMATION CONTAINED IN THIS DRAWING IS THE SOLE PROPERTY OF DCI LLC. ANY REPRODUCTION IN PART OR AS A WHOLE WITHOUT THE WRITTEN PERMISSION OF DCI LLC IS PROHIBITED.

COMMENTS:

**COOKE**

CONTEMPORARY FURNITURE

info@cookefurniture.com 888-303-2453

TITLE:

Santa Monica Fire Pit Table  
44x96x30

SIZE	DWG. NO.	REV
<b>A</b>	SNTM-ASM-44x96x30	<b>A</b>

SCALE: 1:24 WEIGHT: SHEET 1 OF 2