

The Santa Monica fire pit table has a cool industrial vibe and is perfect for a commercial bar top dining table.

- Top Material  
Granite Tier 1,2,3, Stainless steel or Custom selection

- Steel Base Frame Options  
Powder coating in several standard colors or custom colors are available, Hot Dip Galvanized

- Steel Side Panel Options  
Bonderized corrugated steel, flat steel, Raw or Powder coated, Cor Ten steel or Galvanized

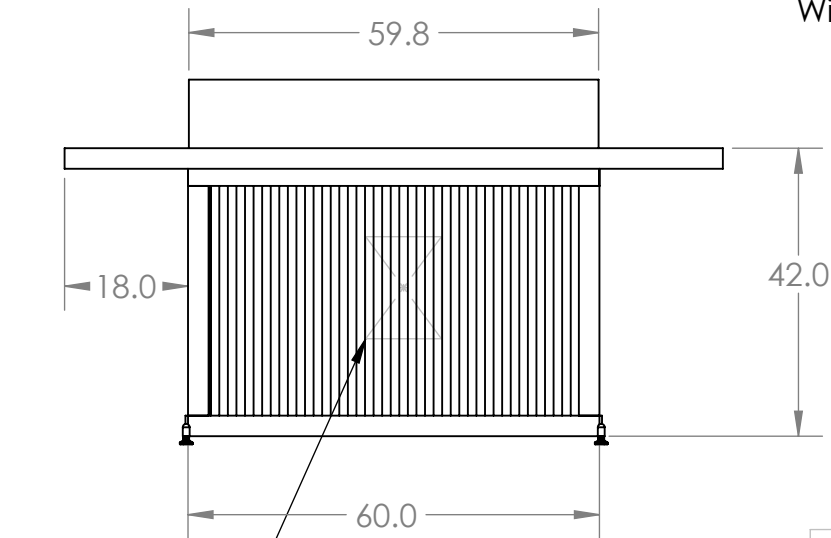
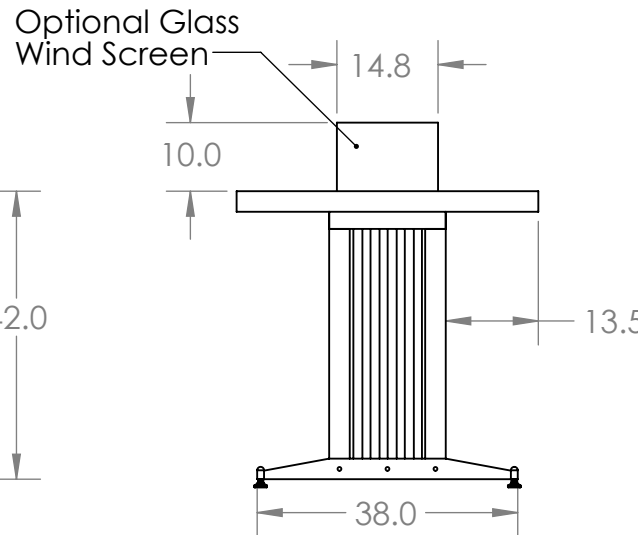
- Fire pit media  
Broken Glass, Lava rock  
Custom options include Ceramic stones, logs , etc.

- Fuel 120, 000 BTU  
Propane or Natural gas

- Optional forced air heat  
requires a 120 v 15 amp  
switched power

- Optional electronic Ignition  
requires 120v switched power

- Optional LED Lighting  
requires 120v switched power or  
Battery pack



Access Door

UNLESS OTHERWISE SPECIFIED:

DIMENSIONS ARE IN INCHES  
TOLERANCES:  
FRACTIONAL  $\pm 1/32$   
ANGULAR: MACH  $\pm .5^\circ$  BEND  $\pm 1^\circ$   
TWO PLACE DECIMAL  $\pm .05$   
THREE PLACE DECIMAL  $\pm .010$

INTERPRET GEOMETRIC  
TOLERANCING PER: ANSI

MATERIAL  
**Steel**

FINISH  
**TBD**

DO NOT SCALE DRAWING

**PROPRIETARY AND CONFIDENTIAL**

THE INFORMATION CONTAINED IN THIS  
DRAWING IS THE SOLE PROPERTY OF  
**DCI LLC**. ANY REPRODUCTION IN  
PART OR AS A WHOLE WITHOUT THE  
WRITTEN PERMISSION OF  
**DCI LLC** IS PROHIBITED.

COMMENTS:

**COOKE**

CONTEMPORARY FURNITURE

info@cookefurniture.com 888-303-2453

TITLE:

Santa Monica Fire Pit Table  
44x96x42

SIZE DWG. NO.

**A** SNTM-ASM-44x96x42

REV

**A**

SCALE: 1:24 WEIGHT:

SHEET 1 OF 2