

UNLESS OTHERWISE SPECIFIED:

DIMENSIONS ARE IN INCHES  
 TOLERANCES:  
 FRACTIONAL  $\pm 1/32$   
 ANGULAR: MACH  $\pm .5^\circ$  BEND  $\pm 1^\circ$   
 TWO PLACE DECIMAL  $\pm .05$   
 THREE PLACE DECIMAL  $\pm .010$

INTERPRET GEOMETRIC  
 TOLERANCING PER: ANSI

MATERIAL

FINISH

DO NOT SCALE DRAWING

**PROPRIETARY AND CONFIDENTIAL**

THE INFORMATION CONTAINED IN THIS  
 DRAWING IS THE SOLE PROPERTY OF  
**DCI LLC**. ANY REPRODUCTION IN  
 PART OR AS A WHOLE WITHOUT THE  
 WRITTEN PERMISSION OF  
**DCI LLC** IS PROHIBITED.

COMMENTS:

**COOKE**

CONTEMPORARY FURNITURE

info@cookefurniture.com 888-303-2453

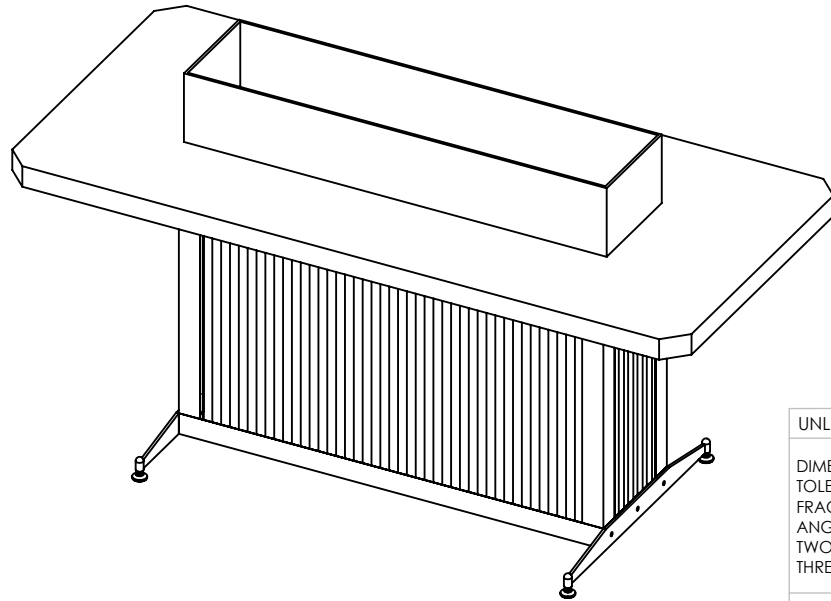
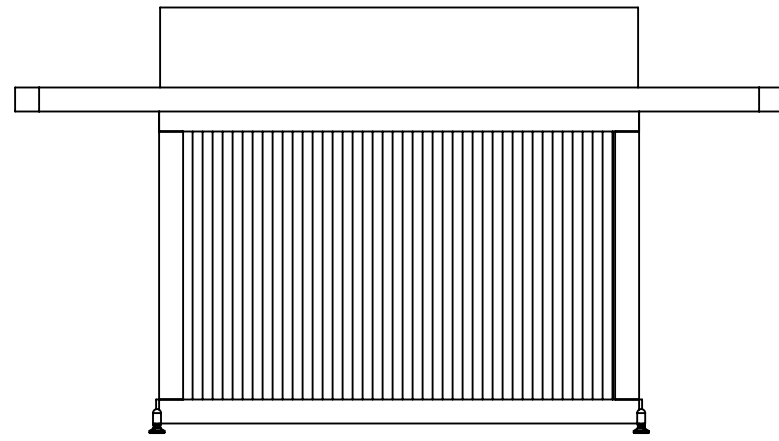
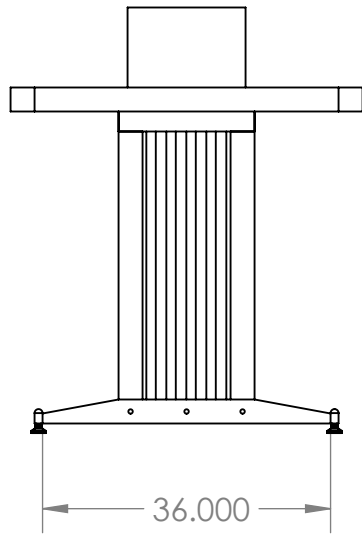
TITLE:

Island Cerritos Fire Pit Table

SIZE	DWG. NO.	REV
<b>A</b>	ISLANDS-C-ASM	<b>A</b>

SCALE: 1:24 WEIGHT:

SHEET 1 OF 2



UNLESS OTHERWISE SPECIFIED:

DIMENSIONS ARE IN INCHES  
 TOLERANCES:  
 FRACTIONAL  $\pm 1/32$   
 ANGULAR: MACH  $\pm .5^\circ$  BEND  $\pm 1^\circ$   
 TWO PLACE DECIMAL  $\pm .05$   
 THREE PLACE DECIMAL  $\pm .010$

INTERPRET GEOMETRIC  
 TOLERANCING PER: ANSI

MATERIAL

FINISH

DO NOT SCALE DRAWING

**PROPRIETARY AND CONFIDENTIAL**

THE INFORMATION CONTAINED IN THIS  
 DRAWING IS THE SOLE PROPERTY OF  
**DCI LLC**. ANY REPRODUCTION IN  
 PART OR AS A WHOLE WITHOUT THE  
 WRITTEN PERMISSION OF  
**DCI LLC** IS PROHIBITED.

COMMENTS:

**COOKE**

CONTEMPORARY FURNITURE

info@cookefurniture.com 888-303-2453

TITLE:

Island Cerritos Fire Pit Table

SIZE DWG. NO.

**A**

ISLANDS-C-ASM

REV

**A**

SCALE: 1:24 WEIGHT:

SHEET 2 OF 2