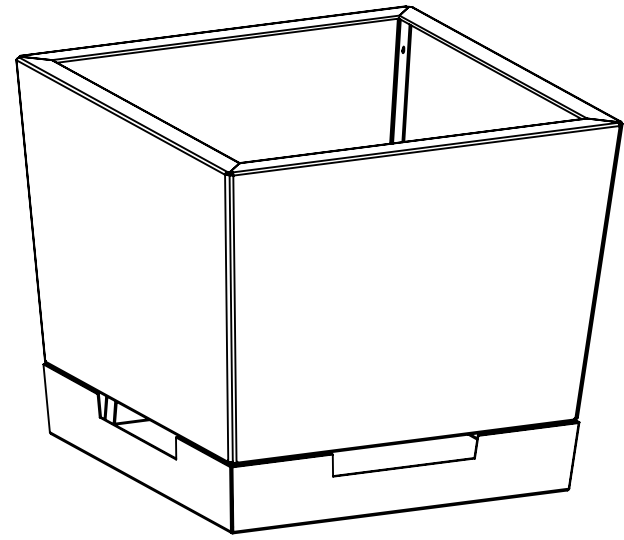
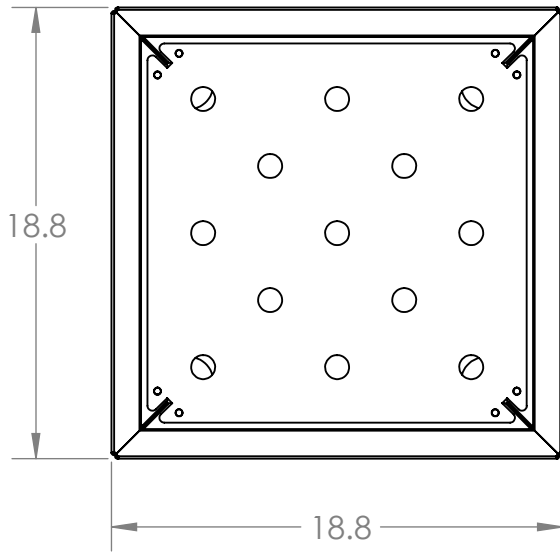


Water catch pan



Our custom planter collection offers a minimalist style which can be custom tailored to your needs. The unique design provides a lightweight alternative to traditional planters which is ideal for roof top applications. The stainless steel construction insures they will the test of time and avoid cracking from bulging roots.

Material: 304 stainless steel, mild steel or solid Copper

Finish: Powder coated, brushed or Custom

Standard Sizes 24H, 36H, 40H
Custom sizes available

UNLESS OTHERWISE SPECIFIED:		PROPRIETARY AND CONFIDENTIAL		COOKE Planters	
DIMENSIONS ARE IN INCHES TOLERANCES: FRACTIONAL ± ANGULAR: MACH ± .5 BEND ± 1 TWO PLACE DECIMAL ± .05 THREE PLACE DECIMAL ± .005		THE INFORMATION CONTAINED IN THIS DRAWING IS THE SOLE PROPERTY OF DCI LLC. ANY REPRODUCTION IN PART OR AS A WHOLE WITHOUT THE WRITTEN PERMISSION OF DCI LLC IS PROHIBITED.		TITLE: COOKE Furniture david@cookefurniture.com 951-805-0314	
INTERPRET GEOMETRIC TOLERANCING PER: ANSI		COMMENTS:		SIZE DWG. NO. REV	
MATERIAL		Custom Sizes Available		A TLLP-ASM-18x18x16 A	
FINISH				SCALE: 1:8 WEIGHT: SHEET 1 OF 1	
DO NOT SCALE DRAWING					