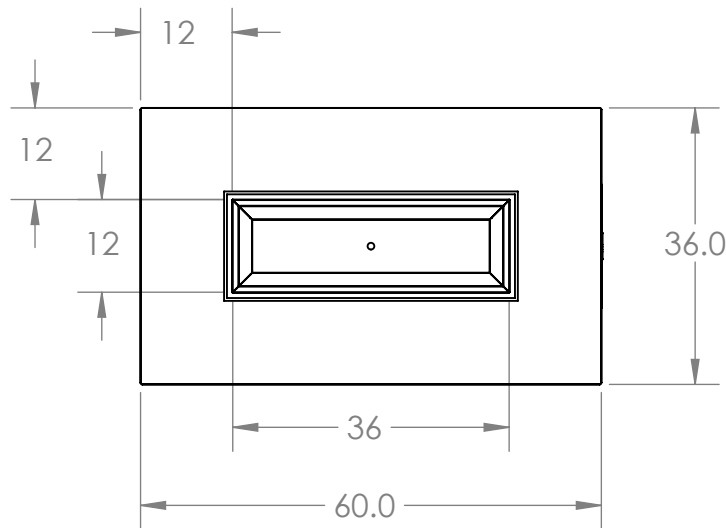
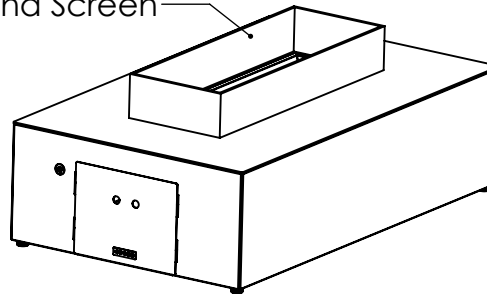


Control Knob

36

Optional Glass Wind Screen



The Austin fire pit table features durable sheet metal construction and is very customizable allowing you to order it in any size and finish you need.

- Top Material  
Stainless steel plate standard, optional Granite Tier 1,2,3 or personal slab selection

- Base Options  
Copper plating with option of forced patina  
Brushed 304 stainless steel  
Electro polish  
Powder coating in several standard colors or custom colors are available

- Fire pit media  
Broken Glass, Lava rock  
Custom options include Ceramic stones, logs , etc.

- Fuel 100, 000 BTU  
Propane or Natural gas

- Optional Electronic Ignition requires 120v switched power

- Optional LED Lighting requires 120v switched power or Battery pack

UNLESS OTHERWISE SPECIFIED:

**PROPRIETARY AND CONFIDENTIAL**

DIMENSIONS ARE IN INCHES  
TOLERANCES:  
FRACTIONAL  $\pm 1/32$   
ANGULAR: MACH  $\pm .5^\circ$  BEND  $\pm 1^\circ$   
TWO PLACE DECIMAL  $\pm .05$   
THREE PLACE DECIMAL  $\pm .010$

THE INFORMATION CONTAINED IN THIS DRAWING IS THE SOLE PROPERTY OF DCI LLC. ANY REPRODUCTION IN PART OR AS A WHOLE WITHOUT THE WRITTEN PERMISSION OF DCI LLC IS PROHIBITED.

INTERPRET GEOMETRIC TOLERANCING PER: ANSI

COMMENTS:

MATERIAL 304 SS

FINISH TBD

DO NOT SCALE DRAWING

**COOKE**

CONTEMPORARY FURNITURE

info@cookefurniture.com 888-303-2453

TITLE:

Austin SS Fire Pit  
36x60x17

SIZE	DWG. NO.	REV
<b>A</b>	Austin table-36x60x17	<b>A</b>

SCALE: 1:16 WEIGHT: SHEET 1 OF 1