

COOKE FIRE PIT TABLE INSTRUCTIONS

GENERAL GUIDE FOR PALISADES, SANTA BARBARA, NEWPORT

Owner's Manual

AND OTHER MODELS

Rev.DC6220



INSTALLER AND CONSUMER: These instruction MUST be retained with this Fire Pit for Future reference

Warning– If these instructions are not followed, a fire or explosion may result causing property damage, personal injury and/or loss of life.

Do not store or use gasoline or other flammable liquids in the vicinity of your fire pit or fire pit table.

WHAT TO DO IF YOU SMELL GAS:

- Do not try to light the appliance
- Do not touch any electrical switch; do not use any phone in your building.
- Immediately call your gas supplier from a safe distance. Follow the gas supplier's instructions.
- If you cannot contact reach your gas supplier call the fire department

CAUTION: Installation and maintenance must be done by an NFI Certified or other qualified professional installer. Installer must read and understand these instructions and safety precautions prior to installing this fire pit/table.

We highly recommend our products to be installed and serviced by professionals who are certified in the U.S. by NFI (National Fireplace Institute) as a Gas Specialist.

Installer must follow all instructions herein carefully, to ensure proper product performance and safety. David Cooke Industries LLC is not responsible for improper installation or use of this product.

Important: Read instructions carefully before installing your fire pit /table.

WARNING

Improper installation, adjustment, alteration, service or maintenance of your fire pit or fire pit table may cause property damage, personal injury or loss of life. Read the installation, operating and maintenance instructions thoroughly before installing or servicing this appliance.

IMPORTANT

For safe operation, proper product performance and to comply with certification, listing, and building codes, use ONLY supplied controls, parts, and accessories that have been specifically listed or certified for use with the supplied burner system. Use of other controls, parts, or accessories is prohibited and will void all warranties, certifications, listings, and/or building code approvals.

A responsible adult must be present while this unit is operating. This appliance must never be left unattended while the fire feature is lit. If this product is left burning unattended, it may cause property damage and/or serious injury.



WARNING

FOR OUTDOOR USE ONLY

Code and supply requirements: Fire pit/table installation must conform with local codes & ordinances, or, in the absence of local codes, with the latest National Fuel Gas Code, ANSI Z223.1

SAFETY FIRST- PRE-INSTALLATION AND IMPORTANT WARNINGS

- A. Make sure none of the components were damaged during shipping before installing this outdoor fire pit or fire pit table. Refer to the FIRE PIT/TABLE CLEARANCE TO COMBUSTIBLES section on pg.4, to ensure the surrounding area is properly sized for safe installation.
- B. The fire pit/table is for outdoor use only. Do not install or use this appliance inside a building, garage, or any other enclosed area, including recreational vehicles and/or boats. This unit must be installed so that the vent opening at the base of the unit remains clear and free of any obstruction at all times.
- C. CHECK GAS TYPE (natural gas or propane): Check the unit burner components to verify that the gas supply you intent to use is compatible with the components supplied with the unit. If the gas supply is different, please contact David Cooke Industries LLC.
- D. **DO NOT INSTALL THIS UNIT IF MINIMUM PRESSURE IS NOT AVAILABLE OR IF MAXIMUM PRESSURE IS EXCEEDED.** Gas type and pressure must be checked prior to installation and use as follows:
 - For a natural gas fire pit/table: **Supply Pressure:** Minimum: 3.5" W.C.; Maximum: 7.0" W.C.
Outlet Pressure: 3.5" to 5.0" W.C.
 - For a propane gas fire pit/table: **Supply Pressure:** Minimum: 8.0" W.C.; Maximum: 15.0" W.C.
Outlet Pressure: 10.0" to 12.0" W.C.
- E. Gas piping system must be sized to provide minimum inlet pressure at the maximum flow rate (Btu/hr) for the unit's respective gas type.
- F. All natural gas fire pits/tables must have an emergency gas shut-off valve located on the premises (commonly located on the gas supply line for the building—please refer to local Building Code). An additional gas supply shut-off valve should be installed in or near the fire pit/table for maintenance and safety (it is recommended to shut off supply gas when fire pit/table is not in use).
- G. The fire pit/table and its flame height adjustment valve must be disconnected from the gas supply piping system during any pressure testing of that system at pressure in excess of 1/2 psi (3.5 kPa). This is necessary to ensure that the fire pit/table valve, regulator and components are not damaged.
- H. Gas-Supply plumbing requirements: Apply only joint compounds (i.e., yellow plumber's tape) that are resistant to all gasses on all male pipe fittings. Make sure to tighten every joint securely. Do not use joint compound to connect flare fittings, as it is not necessary and could compromise functionality. Bring the gas supply pipe up from beneath the table base near it's center (if applicable to unit).
- I. Select a location with good drainage that allows easy access for installation and maintenance of the fire pit/table.

WARNING: It is the installer's responsibility to ensure a safe installation and to educate the end user as to proper operation of the unit. This manual shall be left with the owner/operator of this unit for reference.

WARNING: FOR REMOTE CONTROL USE: To prevent accidental start-up from unwanted RF (radio frequency) signals it is the responsibility of the end user to turn off power to electric outlet (via wall switch or breaker) for the remote control receiver when the fire-pit/table is not in use .

WARNING: It is the responsibility of the installer to follow ALL LOCAL CODES concerning the installation and operation of the fire pit. In the absence of local codes, please follow:

- Fixed piping system: The *National Fuel Gas Code, ANSI Z223.1/NFPA 54* or *International Fuel Gas Code*.
- Electrical ground: The *National Electrical Code, ANSI/NFPA 70*.

OPERATING THE FIRE PIT/TABLE SAFELY AND IMPORTANT WARNINGS

- A. This appliance should be inspected before use. It is imperative that the control compartment, burner and circulating air passageways of the appliance are kept clean.
- B. Improper installation and placement of the fire pit/table and decorative media **WILL IMPAIR ITS EFFCEINCY AND MAY CAUSE THE UNIT TO MALFUNCTION.**
- C. This appliance is only intended for operation in temperatures above 32 degrees F. Do not operate fire pit in windy or poor weather conditions. Temperate, calm weather conditions are optimal for fire pit/table use.
- D. When shutting off the fire pit/table ensure the **CONTROL VALVE IS IN THE FULL OFF POSITION.**
- E. **DO NOT sit or place any part of the body, clothing, or other flammable material on or near the fire pit/table.** Every time you use the unit, make sure that the area around the unit is clear and free from combustible materials. The Fire Pit should never be covered when lit.

OPERATING THE FIRE PIT/TABLE SAFELY AND IMPORTANT WARNINGS

WARNING: Both children and adults should be alerted to the hazards of high surface temperatures and should avoid flames to prevent burns and/or clothing ignition. Fire pits/tables create very high temperatures, so combustibles must be located far enough away that there is no risk of ignition.

IMPORTANT: To prevent damage or cracking it is recommended that material such as granite, marble or other dense stone be kept away from excessive heat and especially direct flame contact, which can result from use during windy conditions.

WARNING: If your fire pit/table is making the surrounding stone surface hot, turn it down or off immediately. Your fire pit is not intended to be operated at maximum output for extended periods of time. Large and/or quick temperature variations may cause stone to crack.

WARNING: For electronic ignition models there must be an electrical shut off (wall switch or breaker) on the exterior of the fire pit or on an adjacent wall to allow for emergency shutdown and maintenance.

WARNING: This product is not intended to be a starter for wood or any other combustible material. Never alter this product or configuration in any way.

- A. SOLID FUEL MUST NOT BE BURNED in the fire pit/table.
- B. DO NOT continue using if you smell unusual odors, or have headaches, nausea, or dizziness.
- C. DO NOT store any combustible material, gasoline, and any other flammable vapors/liquids in the vicinity of the fire pit/table.
- D. Matches, paper, garbage, or any other material must not be thrown onto the fire pit/table.
- E. DO NOT use the fire pit/table if any part of it that has been submerged in water. Immediately call a qualified professional service technician to inspect the fire pit/table and to replace any part of the control system that has been submerged in water.

CLEANING AND MAINTENANCE

- A. Always shut off the gas to the fire pit/table while performing service work.
- B. Allow the fire pit/table to cool before servicing.
- C. The Fire Pit should be inspected regularly by the owner/operator. Excessive debris can build up on this fire pit/table system including leaves, dirt and other materials. It is critical that all control components, propane air mixer, and burner are maintained free of internal obstructions, and for the surrounding area to be kept clean of debris.
- D. The burner assembly must be replaced prior to the fire pit/table being put into operation if it is evident that the burner is damaged. Contact (951)-805-0314
- E. The owner/operator should perform periodic visual checks of the burner flames and pilot flames (if applicable). The burner flames should be blue at the base with a combustion of blue/yellow at the body and tips. The pilot (if applicable) should be a steady flame, touching the electrode/thermocouple. Contact a qualified service person for maintenance. This appliance should be inspected before use and at least annually by a qualified service person

Note: Keep the surrounding area at the base of the Fire pit clean and free of obstructions at all times. Keep the burner pan, decorative media (fire glass) and other items clean and free of debris that may cause obstruction.

Caution: HOT DURING OPERATION AND AFTER USE. Children must be supervised when in the vicinity of this fire pit/table. Serious injury may occur!

IMPORTANT INFORMATION BEFORE OPERATION

WARNING: DO NOT OPERATE THE FIRE PIT/TABLE IN THE RAIN!!!

WARNING: Flame adjustment valves are not on all models and may vary in location and style. Owner/operator must become familiarized with the controls before operation.

CAUTION: Installation and maintenance must be done by an NFI Certified or other qualified professional installer. Read these instructions before installing this fire pit/table. Owner/operator must understand all safety precautions and warnings contained in this manual.

A. FOR OUTDOOR USE ONLY.

B. When shutting the fire pit/table off; be sure to turn the control valve to the full off position.

C. WARNING: CARBON MONOXIDE POISON MAY LEAD TO DEATH. DO NOT MODIFY THIS FIRE PIT/TABLE OR ITS CONTROLS, EXCEPT AS PROVIDED FOR IN THIS MANUAL. Any other un-approved modification may be dangerous. Improper installation or use of the Fire Pit can cause serious injury or death from fire, burns, explosions, or carbon monoxide poisoning.

BE CAREFUL

**If not installed and used correctly per these instructions,
this product may cause serious injury.**

D. Check state and local codes to determine if the fire pit/table is allowed in your area before installation.

E. The manual valve allows adjustable flame height and heat output. During operation, the flame height setting must always be high enough for the flame to be clearly visible.

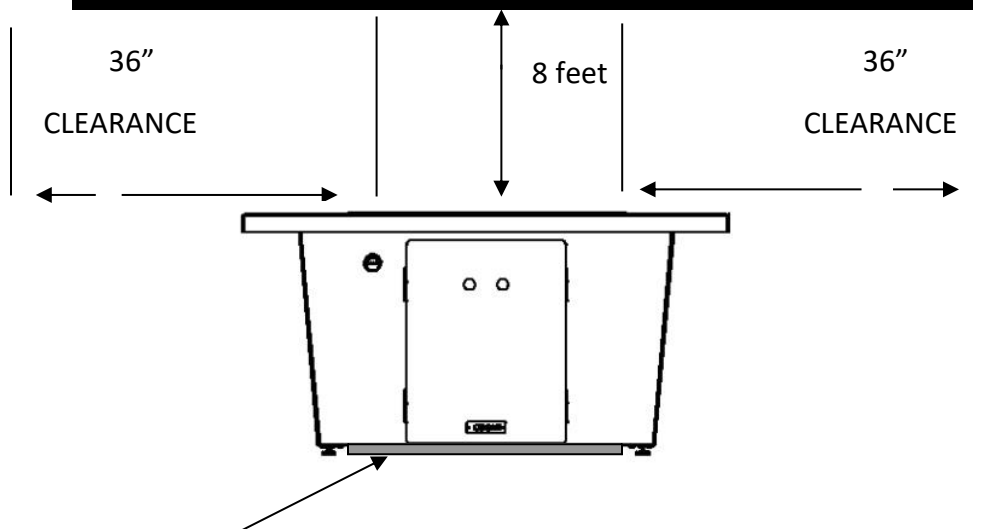
MINIMUM CLEARANCE TO COMBUSTIBLES

Side walls and fire pit/table surroundings: 36" from each side of the Fire Pit Burner plan

Ceiling: 8 feet from fire pit burner

Flooring: 0" (This unit may be installed on a concrete slab, wood deck, or other level floor type).

Note: Nothing flammable should be above the Fire Pit Table



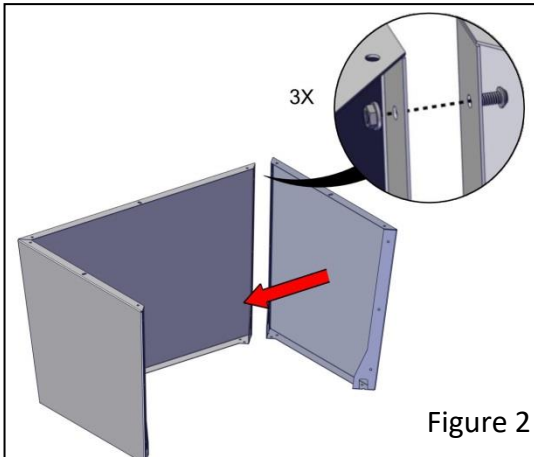
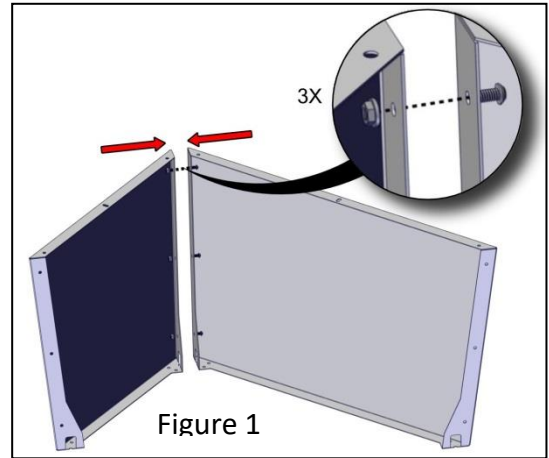
NOTE: Keep vent opening at the base of the unit clear on all sides for proper ventilation beneath the fire pit/table.

FIRE PIT TABLE ASSEMBLY INSTRUCTIONS

Check hardware provided with Fire pit/table: 28 bolts, 32 nuts, 8 rubber bumpers. Tools required for assembly: 5/32 HEX wrench, 7/16 open end wrench or socket wrench, crescent wrench (i.e., adjustable wrench).

1. Attach (1) short side to (1) long side panel using (3) screws and nuts.

| | |
|---|------------|
| 1 | Side Panel |
| 1 | Side Panel |
| 3 | Screw |
| 3 | Nut |

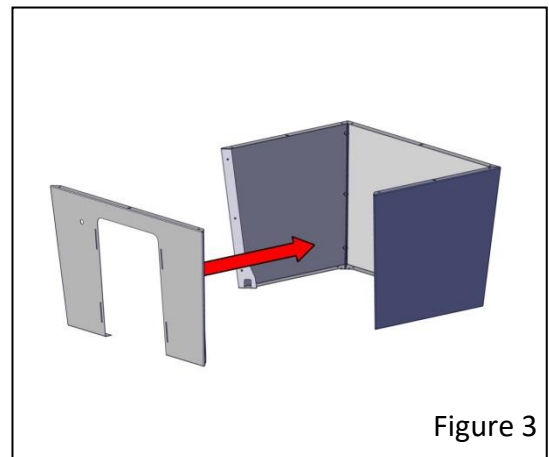


2. Attach (1) another side panel using (3) screws and nuts.

| | |
|---|------------|
| 1 | Side Panel |
| 3 | Screw |
| 3 | Nut |

3. Slide door panel into position and attach using (3) screws and nuts.

| | |
|---|------------|
| 1 | Door Panel |
| 3 | Screw |
| 3 | Nut |



FIRE PIT TABLE ASSEMBLY INSTRUCTIONS CONTINUES

4. Make sure all 4 sides have 3 bolts in each corner .

4 Corners
12 Screw
12 Nut

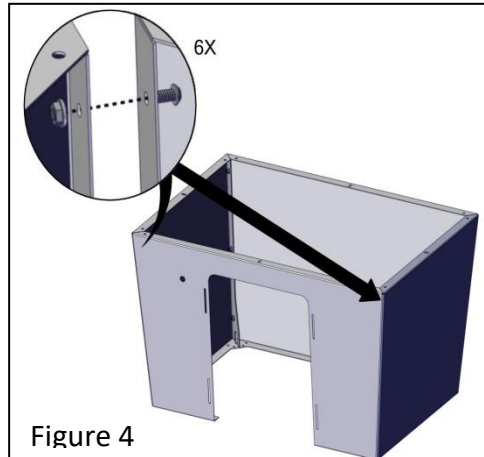


Figure 4

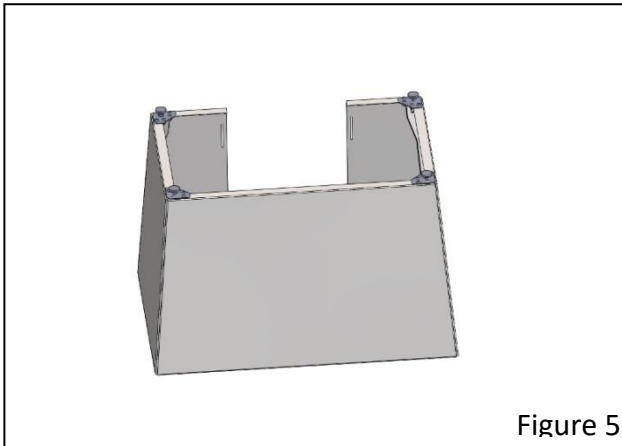


Figure 5

5. flip base upside down to locate the 4 bolt holes in each corner to attach foot plates.

6. Attach (4) foot plates using (4) screws and nuts to bottom of table. Screw in leveling feet.

1 Leveling foot
4 Screw
4 Nut

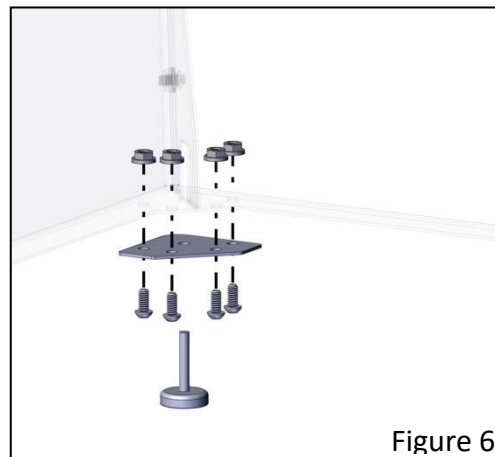


Figure 6

FIRE PIT TABLE ASSEMBLY INSTRUCTION

7. Upright the table and adjust leveling feet to level the top surface

| | |
|---|---------------|
| 4 | Leveling feet |
|---|---------------|

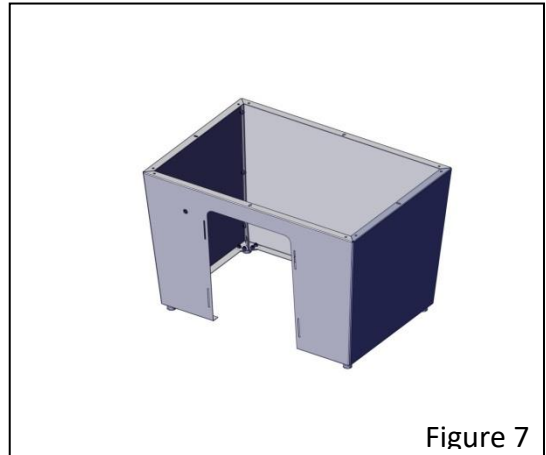


Figure 7

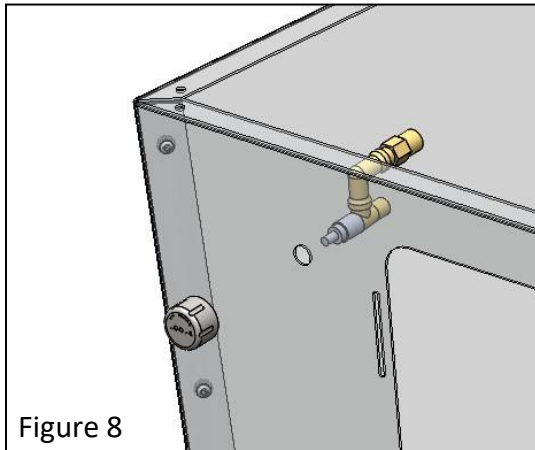


Figure 8

8. Insert (1) flow control valve into hole on front panel. Attach using (1) Jam nut and (1) control Knob tighten set screw on knob.

| | |
|---|--------------------|
| 1 | Flow Control Valve |
| 1 | Locknut |
| 1 | Control Knob |

9. Attach (1) Propane regulator hose to top (shorter) stem of flow control valve. For Natural gas units connect 1/2 psi. gas source which should be shut off at emergency valve at this time.

| | |
|---|--------------------------------------|
| 1 | Propane regulator with attached hose |
|---|--------------------------------------|

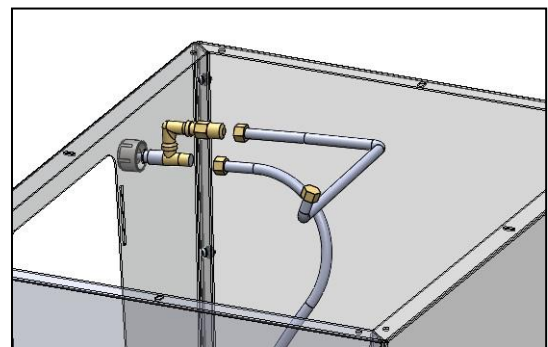


Figure 9

Leak Test

Turn on the gas supply, ignite the burner, and test at all connections for leaks using soapy water solution. If bubbles appear, a leak is present. Turn off the gas and tighten at all connections. Repeat until no leaks are present. If a leak persists, turn off the gas supply and contact the local gas company. NEVER USE A FLAME TO CHECK FOR LEAKS!

FIRE PIT TABLE ASSEMBLY INSTRUCTIONS

10. connect (1) stainless steel flex hose into lower valve stem. Firmly tighten all gas fittings.

1 Stainless steel flex

Figure 10

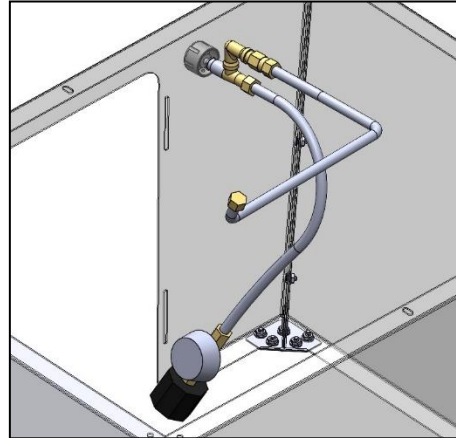
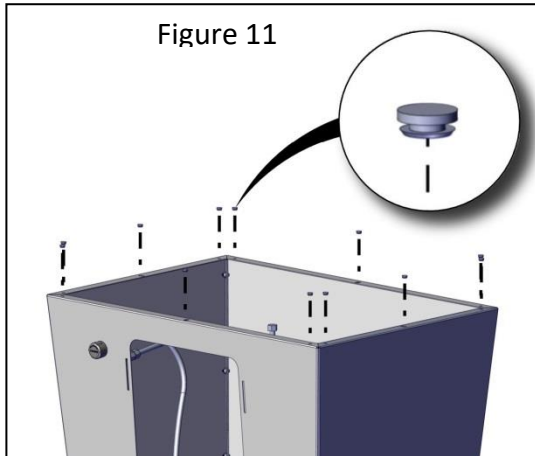


Figure 11



11. Insert rubber grommets into holes on top of panels. Glue can be used here to hold granite or other tops that do not bolt to base.

8 Rubber Grommets

12. If the top has studs bolt (1) table top to base. Lower pan and burner into top hole, attach inlet of (1) burner to SS flex hose and tighten

1 Table Top
4 Nuts
1 Burner

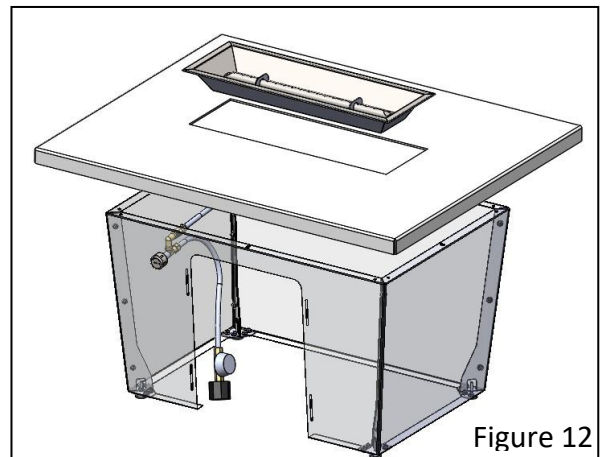


Figure 12

Leak Test

Turn on the gas supply, ignite the burner, and test at all connections for leaks using soapy water solution. If bubbles appear, a leak is present. Turn off the gas and tighten at all connections. Repeat until no leaks are present. If a leak persists, turn off the gas supply and contact the local gas company. NEVER USE A FLAME TO CHECK FOR LEAKS!

FIRE PIT TABLE ASSEMBLY INSTRUCTIONS

13. Connect propane tank (not included) to propane regulator using standard propane tank connection process. For Natural gas units turn on gas from emergency shut off valve.

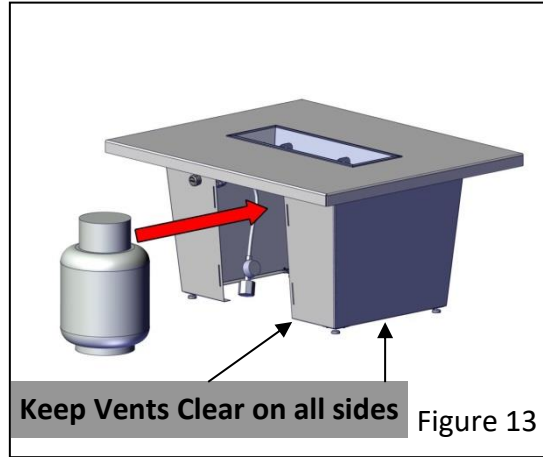


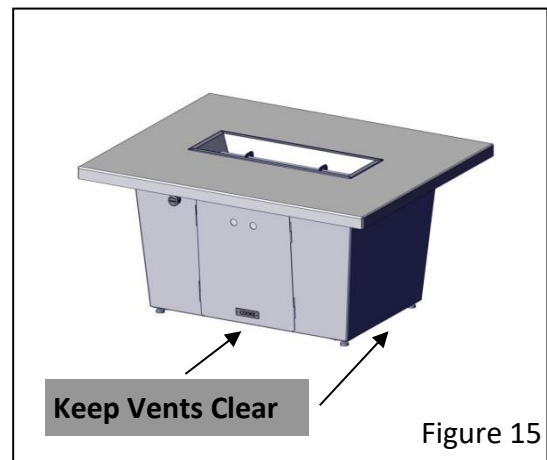
Figure 14

14. Attach (1) door panel by aligning tabs with slots and releasing, door hooks should fit into slots on front panel.

1 Door Panel

15. Make sure flow valve is off in the lock out position, turn on propane tank, slight push in will allow knob to turn on gas flow then light fire pit immediately with hand held fire source/lighter. If you smell gas DO NOT use, turn off tank then call a professional!

Warning: Read all instructions before operation



Leak Test

Turn on the gas supply, ignite the burner, and test at all connections for leaks using soapy water solution. If bubbles appear, a leak is present. Turn off the gas and tighten at all connections. Repeat until no leaks are present. If a leak persists, turn off the gas supply and contact the local gas company. NEVER USE A FLAME TO CHECK FOR LEAKS!

FIRE PIT DECORATIVE MEDIA OPTIONS

CAUTION: Decorative media will remain hot for some time after use. If you need to reposition any decorative media, use heat - resistant gloves or allow to cool before handling.

Note: Lava media **OR** Fire glass is always placed on the burner first in each option. This provides an important base for the diffusion of gas and air. Depending on fire-pit size, more lava than supplied may be required.

MANUAL (MATCH LIT) LIGHTING INSTRUCTIONS

1. **STOP!** Confirm ignition option of your unit, lighting instructions can vary.
2. Use a long-necked butane lighter (See Figure 16) on the surface of the decorative media near the burner (**keep your hand to the side of the burner and not above**) or Lay a lighted long-stem match.
3. Push in and then slowly turn the control knob (See Figure 17) to the **ON** position. You should hear the gas flowing and your burner should light in a few seconds.
4. If the burner does not light before the match goes out, immediately turn the control knob to the **OFF** position.
5. Wait, approximately five (5) minutes to clear out any gas, and repeat steps 1-4 above.
6. If your burner fails to light again, turn the control knob to the **OFF** position (Figure 17) and contact your dealer or gas supplier.
7. **To extinguish your gas burner**, turn the control knob to the **OFF** position. Be sure the control knob is turned fully off in the lock out position to avoid any gas leakage.

Figure 16



Keep Vents Clear on all sides

Keep Vents Clear

Figure 17



Note: Push in then turn the knob counter-clockwise to turn the Fire Pit to ON.

To lower the flame or to turn OFF turn the knob clockwise.

Never turn down gas flow where you can't see the flame unless to the complete off position!

OPERATION

Each installation site for any fire pit/table presents its own unique combustion environment. Specific factors such as weather, wind currents, yard debris, altitude, drafts, and the size of the surrounding area, all have an influence on the proper operation of the Fire Pit table. A normally operating fire will demonstrate the following characteristics: A) A lively, realistic yellow flame. B) Odor-Free (If the flame is not clean (identifiable by excessive sooting on the decorative media), refer to the Cleaning and maintenance section on page 11.)

WARRANTY

David Cooke Industries, LLC warrants this fire pit/table, controls, and accessories against defects in material and workmanship for the following periods of time:

1. Burner media, Fire Pit Logs, Fire Glass and other objects are guaranteed against the manufacturer's warranty from the date of purchase. (6 months)
2. Burner, control and other components are guaranteed against the manufacturer's warranty from the date of purchase. (1 year)

Commercial installation warranty period shall be (3) months. Warranty does not extend to corrosion of parts used in commercial and living locations within 5 miles of a beach environment.

THIS WARRANTY IS FOR THE BENEFIT OF THE ORIGINAL PURCHASER.

WARRANTY ADJUSTMENT:

- David Cooke Industries, LLC agrees to repair or furnish a replacement for, but not remove or install any product or component which proves defective within the above warranty and appropriate time periods stated.
- BUYER shall notify David Cooke Industries, LLC of any defect covered within this warranty no later than thirty (30) days after a defect is discovered.
- No product will be accepted for return or replacement without written authorization of David Cooke Industries, LLC . Before returning merchandise, write to David Cooke Industries, LLC giving us full details of the complaint and a copy of the sales receipt or other evidence of the purchase date. Merchandise returned without proof of purchase date will be serviced out-of-warranty at our prevailing service and parts rates. If merchandise was damaged in transit, the file claim must be with the freight company.
- **Shipping charges must be pre-paid by the buyer. REPAIR OR REPLACEMENT UNDER THIS WARRANTY WILL BE SHIPPED FREIGHT COLLECT.**
- The foregoing warranty is limited solely as set forth herein and applies only for the designated products and components identified above.
- David Cooke Industries, LLC shall not be liable for any loss, damage, incidental or consequential damage of any kind weather based upon warranty, contract, or negligence arising in connection with the sale, use or repair of the product.
- The maximum liability of David Cooke Industries, LLC in connection with this limited warranty shall not in any case exceed the contact price paid for the product claimed to be defective or unsuitable.
- This warranty does not extend to any product manufactured by David Cooke Industries, LLC which has been subjected to misuse, neglect, accident, improper installation, or use in violation of instructions.
- This warranty does not extend to or apply to any unit which has been repaired or altered in any place other than approved facilities or by persons not expressly approved by David Cooke Industries, LLC.
- Components manufactured by any supplier other than David Cooke Industries, LLC shall bear only that warranty made by the manufacturer of that product.
- Freight damage and color changes occur from causes beyond manufacturer's control and are not covered by any warranty.

THIS WARRANTY GIVES YOU SPECIFIC LEGAL RIGHTS, AND YOU MAY ALSO HAVE OTHER RIGHTS WHICH VARY FROM STATE TO STATE.

FOR CONSUMER RECORD CARD ONLY:

DO NOT SEND THIS CARD TO David Cooke Industries LLC

FIRE PIT TABLE MODEL: _____

BURNER / CONTROL: _____

DATE OF PURCHASE: _____