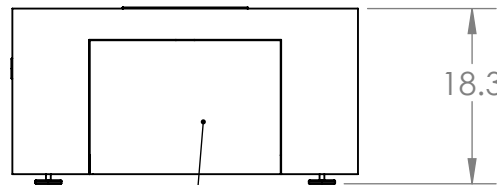
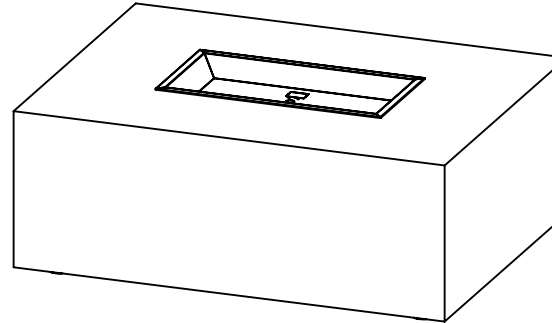
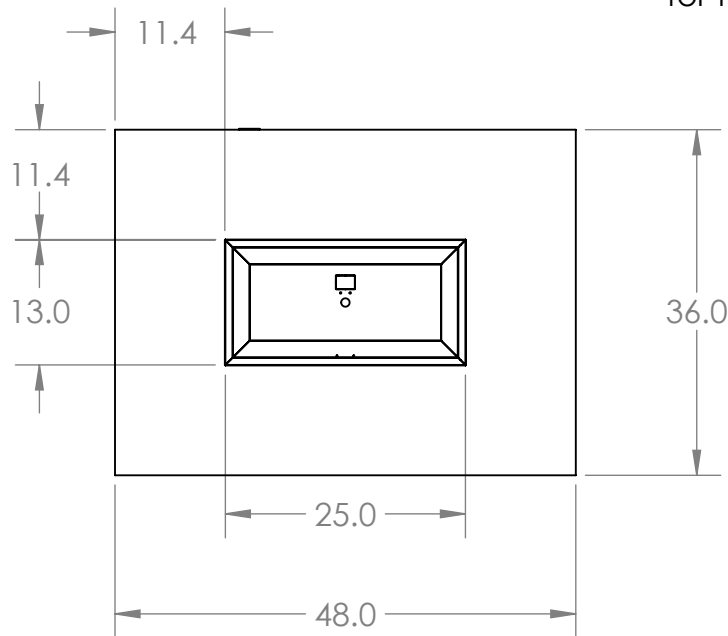




Key Valve



Optional door
for tank



The Famosa fire pit table has a timeless design and features a drawer to hide a propane tank.

- Top Material
Granite Tier 1,2,3 or personal slab selection
- Base Frame
Made from 304 stainless steel square tubing
- Fire pit media
Broken Glass, Lava rock
Custom options include Ceramic stones, logs , etc.
- Fuel 60,000 BTU
Propane or Natural gas
- Electronic Ignition: yes or no
requires 120v switched power

UNLESS OTHERWISE SPECIFIED:

DIMENSIONS ARE IN INCHES
TOLERANCES:
FRACTIONAL $\pm 1/32$
ANGULAR: MACH $\pm .5^\circ$ BEND $\pm 1^\circ$
TWO PLACE DECIMAL $\pm .05$
THREE PLACE DECIMAL $\pm .010$

INTERPRET GEOMETRIC
TOLERANCING PER: ANSI

MATERIAL

FINISH

DO NOT SCALE DRAWING

PROPRIETARY AND CONFIDENTIAL

THE INFORMATION CONTAINED IN THIS
DRAWING IS THE SOLE PROPERTY OF
DCI LLC. ANY REPRODUCTION IN
PART OR AS A WHOLE WITHOUT THE
WRITTEN PERMISSION OF
DCI LLC IS PROHIBITED.

COMMENTS:

COOKE

CONTEMPORARY FURNITURE

info@cookefurniture.com 888-303-2453

TITLE:

Famosa Fire Pit 36x48x18

SIZE
A

DWG. NO.
FAM-ASM-36x48x18

REV
A

SCALE: 1:24 WEIGHT:

SHEET 1 OF 1